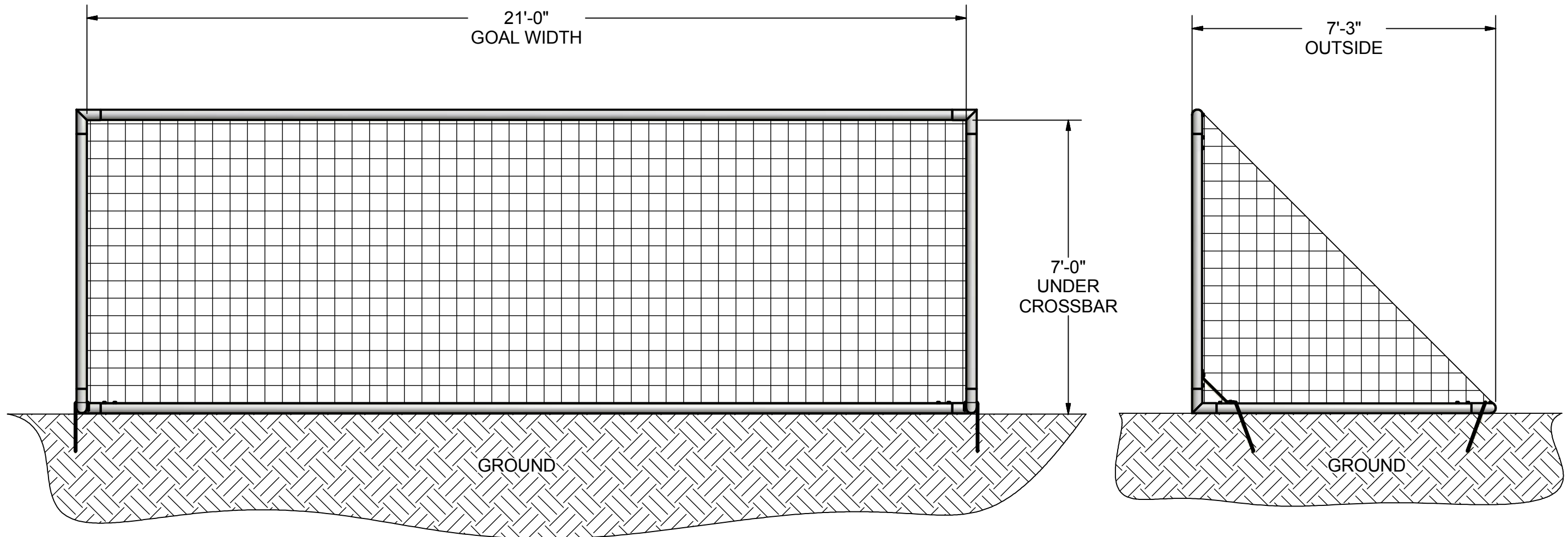


FRONT VIEW

SIDE VIEW

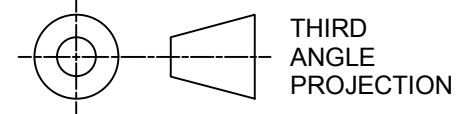


FEATURES:

- 1) ALUMINUM GOAL FRAME
- 2) FINISH: WHITE POWDER COAT
- 3) INCLUDED:
  - J- ANCHORS
  - 2.4 mm ORANGE NET
  - NET ATTACHMENT STRAPS
- 4) ASSEMBLED GOAL WEIGHT: 84 LBS.
- 5) ASTM F2056-00 STANDARD:

THIS GOAL DOES NOT FALL UNDER THE SCOPE OF ASTM F2056-00 BECAUSE OF IT'S SIZE AND/OR WEIGHT

**Finish Info.**



THIRD ANGLE PROJECTION

**KWIKGOAL**® 140 Pacific Drive  
Quakertown, Pa. 18951

DIMENSIONS ARE IN INCHES UNLESS OTHERWISE SPECIFIED

This item is the **exclusive** property of **KWIK GOAL LTD.** Reproduction or duplication **without** the express written consent of **KWIK GOAL LTD.** is **strictly forbidden.**

Approved By:

Date:

Drawn By: BRush

Date: 7/18/2006

Sheet: 1 of 4

Revision #: 3

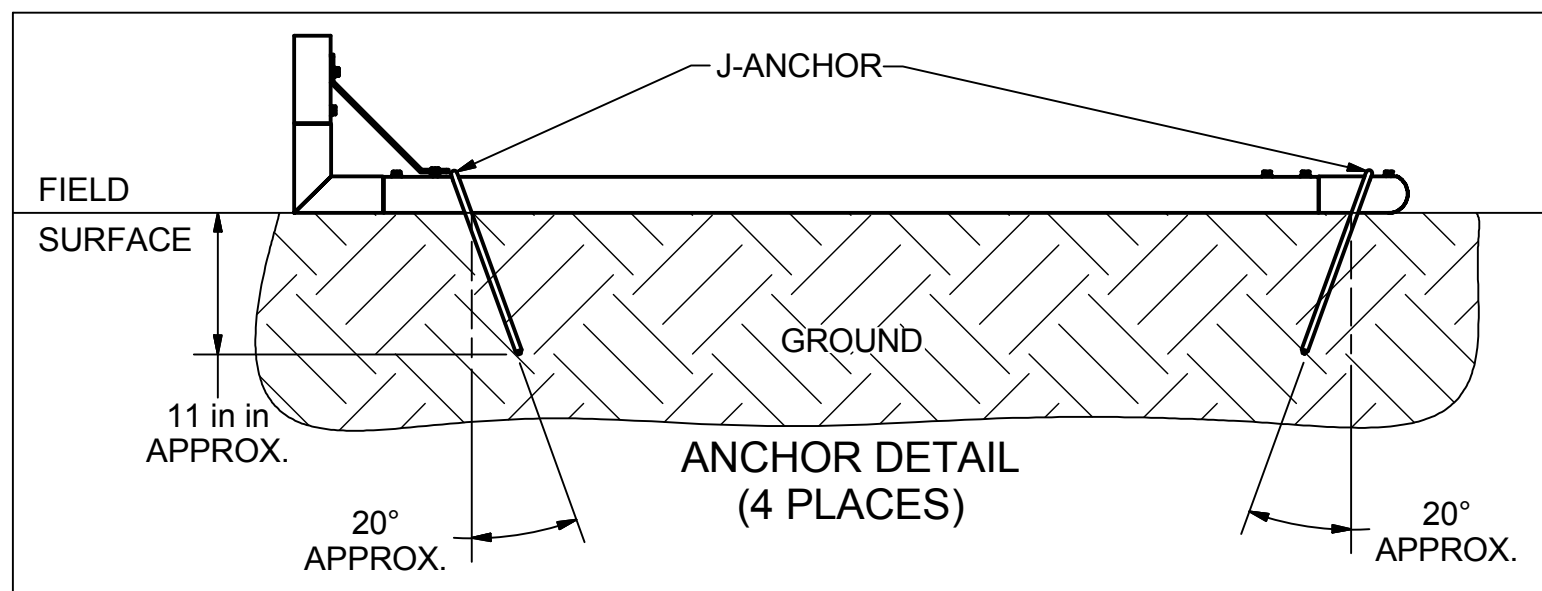
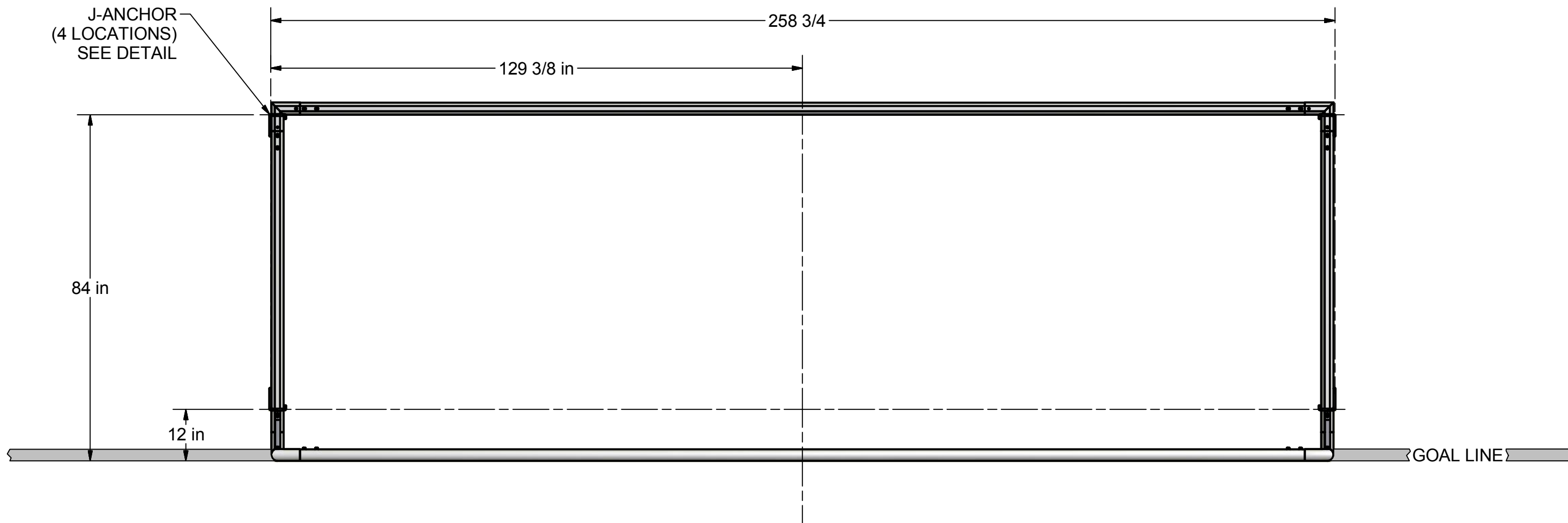
Cad File: 2B5005.idw

Part #:

**2B5005**

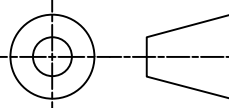

Desc:  
7'H X 21'W X 0'D X 7-1/4'B  
ACADEMY GOAL

OVERHEAD VIEW



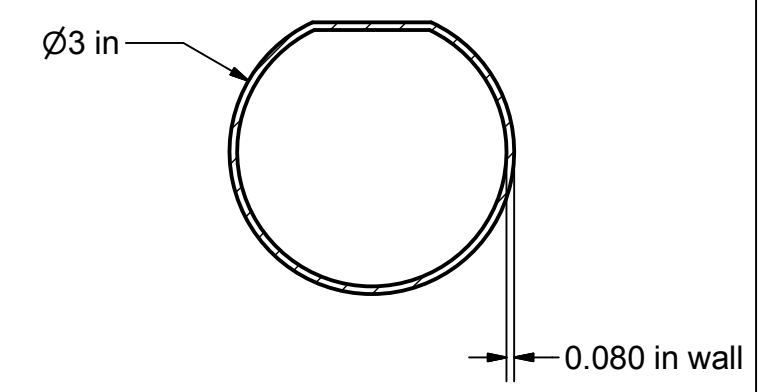
NOTES:

- 1) DIMENSIONS ARE FOR PLANNING PURPOSES. INSTALLATION MUST BE IN ACCORDANCE WITH INSTALLATION INSTRUCTIONS.

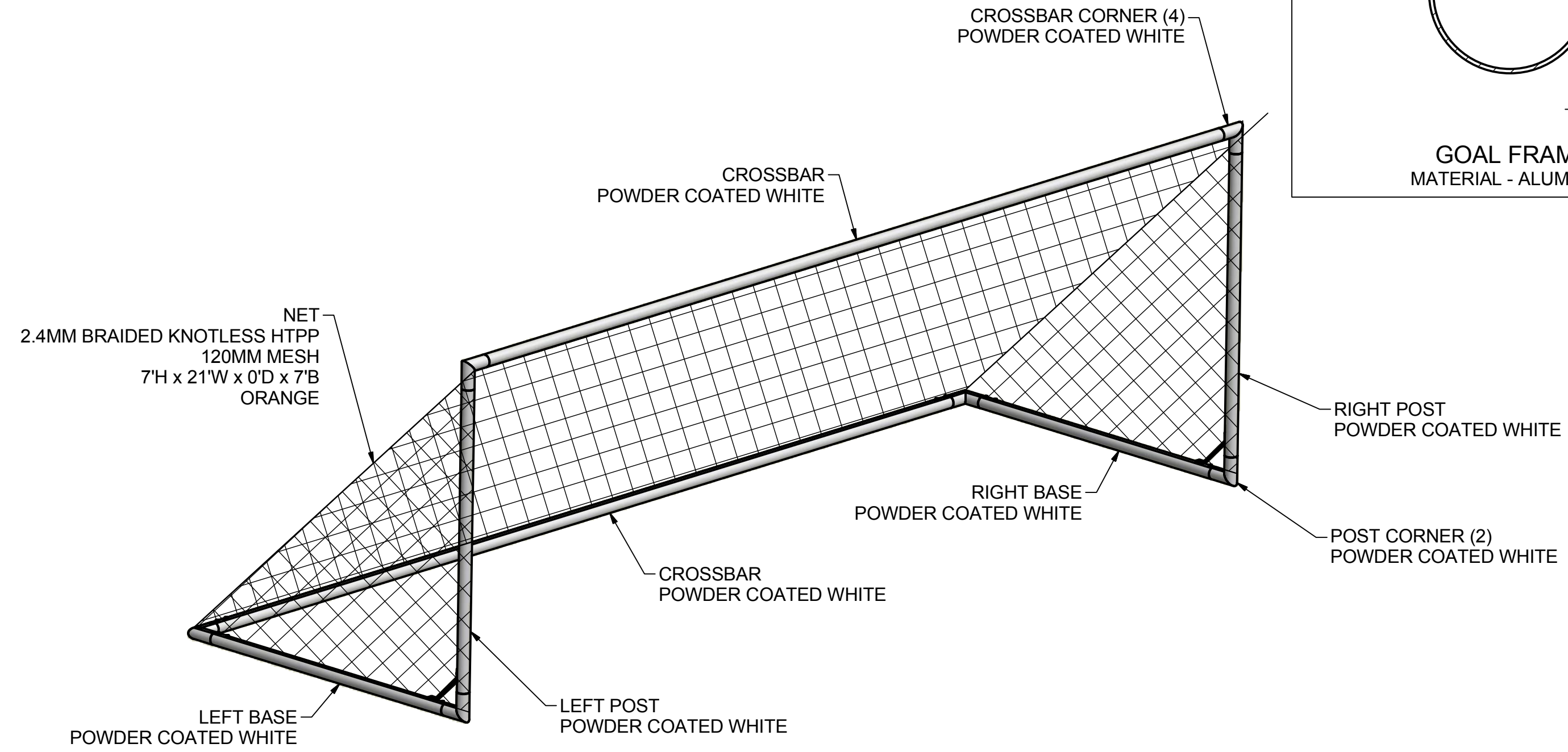
 THIRD ANGLE PROJECTION	 <b>KWIKGOAL</b> ® 140 Pacific Drive Quakertown, Pa. 18951	
	DIMENSIONS ARE IN INCHES UNLESS OTHERWISE SPECIFIED	Approved By: Date:
This item is the <b>exclusive</b> property of <b>KWIK GOAL LTD.</b> Reproduction or duplication <b>without</b> the express written consent of <b>KWIK GOAL LTD.</b> is <b>strictly forbidden.</b>	Drawn By: BRush Date: 7/18/2006 Sheet: 2 of 4 Revision #: 3 Cad File: 2B5005.idw	Desc: 7'H X 21'W X 0'D X 7-1/4'B ACADEMY GOAL

Finish Info.

MATERIAL DETAIL

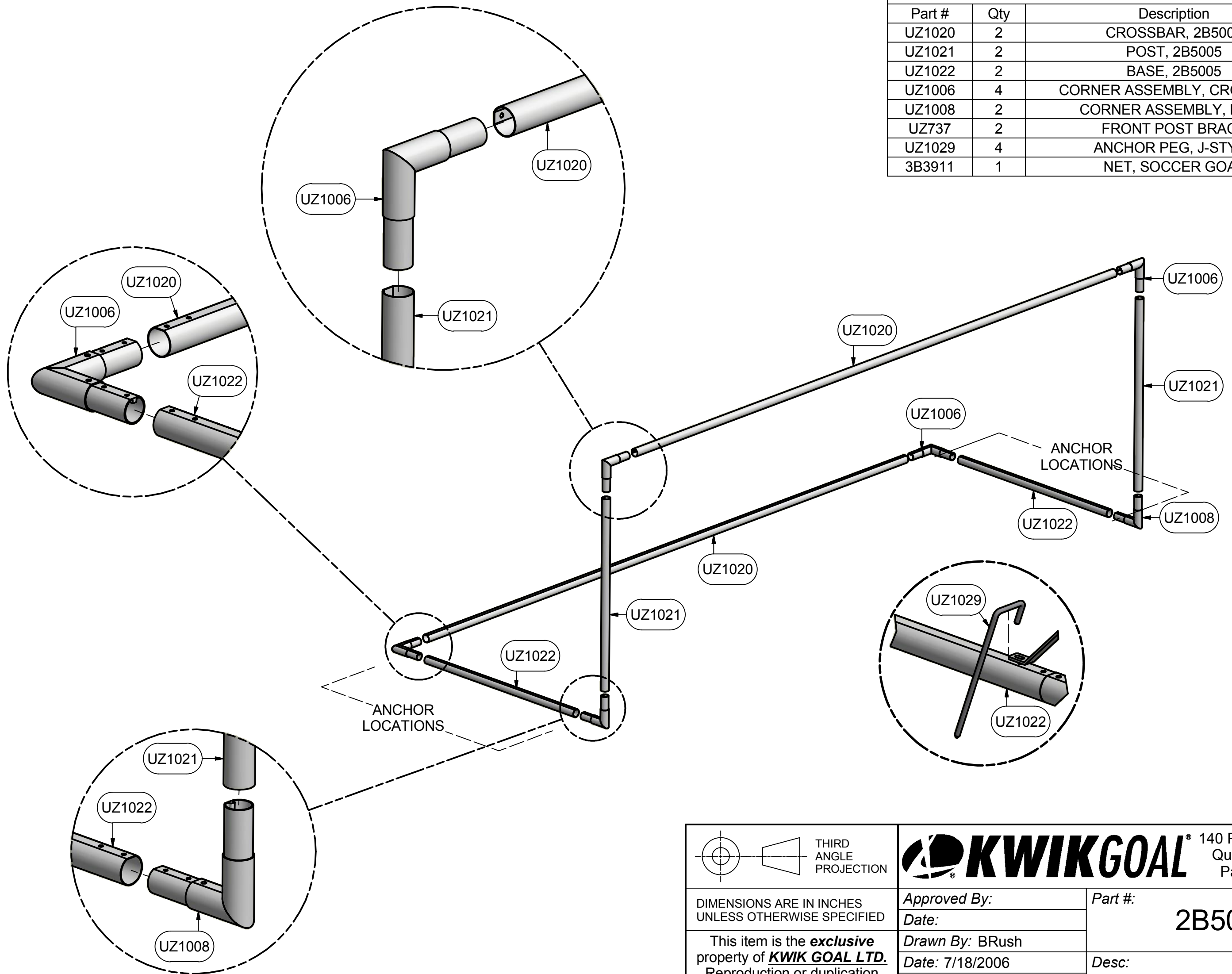


GOAL FRAME  
MATERIAL - ALUMINUM

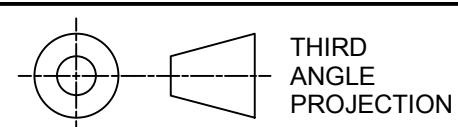


<p>THIRD ANGLE PROJECTION</p>	<p><b>KWIKGOAL</b>® 140 Pacific Drive Quakertown, Pa. 18951</p>	
	<p>DIMENSIONS ARE IN INCHES UNLESS OTHERWISE SPECIFIED</p>	<p>Approved By:</p> <p>Date:</p>
<p>This item is the <b>exclusive</b> property of <b>KWIK GOAL LTD.</b> Reproduction or duplication <b>without</b> the express written consent of <b>KWIK GOAL LTD.</b> is <b>strictly forbidden.</b></p>	<p>Drawn By: BRush</p>	<p>Desc:</p> <p>7'H X 21'W X 0'D X 7-1/4'B ACADEMY GOAL</p>
	<p>Date: 7/18/2006</p>	
	<p>Sheet: 3 of 4</p>	
	<p>Revision #: 3</p>	
<p>Finish Info.</p>		<p>Cad File: 2B5005.idw</p>

Parts List		
Part #	Qty	Description
UZ1020	2	CROSSBAR, 2B5005
UZ1021	2	POST, 2B5005
UZ1022	2	BASE, 2B5005
UZ1006	4	CORNER ASSEMBLY, CROSSBAR
UZ1008	2	CORNER ASSEMBLY, POST
UZ737	2	FRONT POST BRACE
UZ1029	4	ANCHOR PEG, J-STYLE
3B3911	1	NET, SOCCER GOAL



Finish Info.



**KWIKGOAL**® 140 Pacific Drive  
Quakertown, Pa. 18951

DIMENSIONS ARE IN INCHES  
UNLESS OTHERWISE SPECIFIED

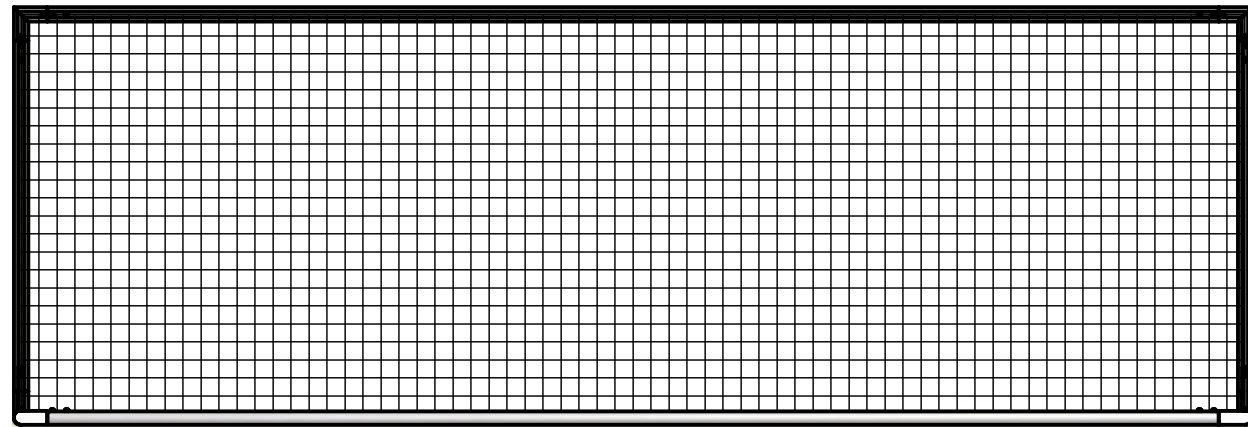
Approved By:  
Date:

Part #:  
**2B5005**

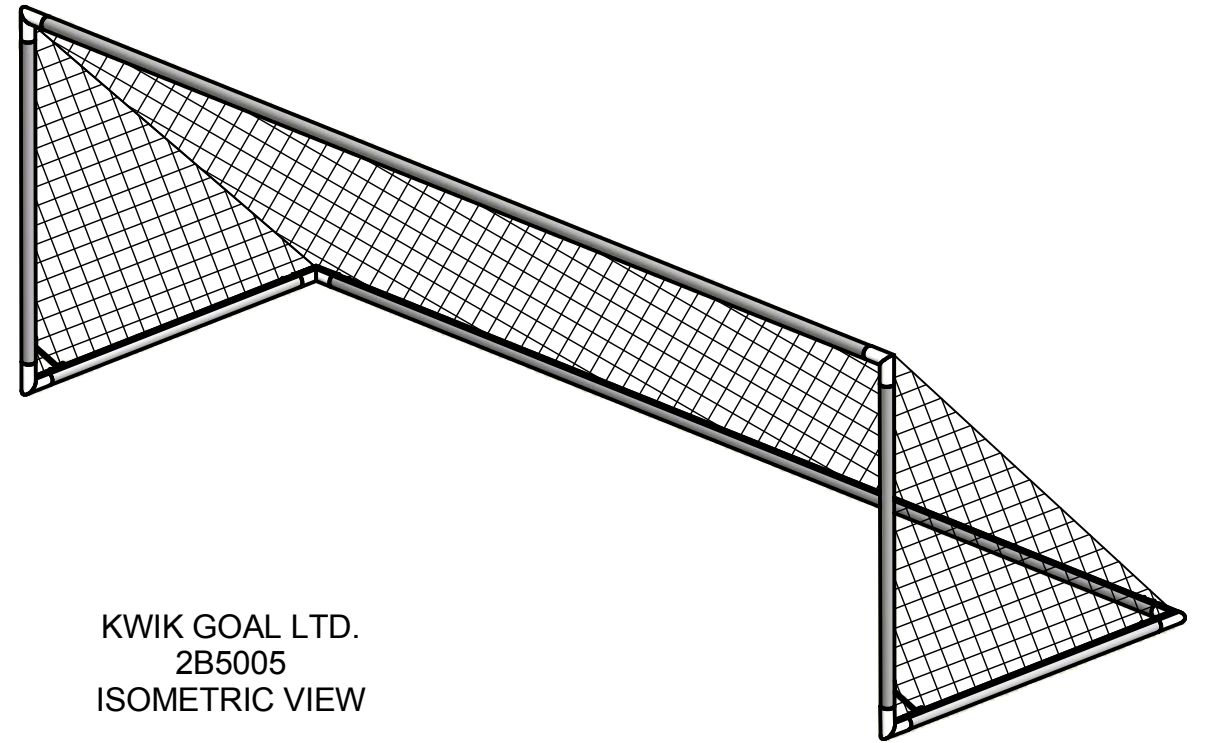
This item is the **exclusive** property of **KWIK GOAL LTD.** Reproduction or duplication **without** the express written consent of **KWIK GOAL LTD.** is **strictly forbidden.**

Drawn By: BRush  
Date: 7/18/2006  
Sheet: 4 of 4  
Revision #: 3  
Cad File: 2B5005.idw

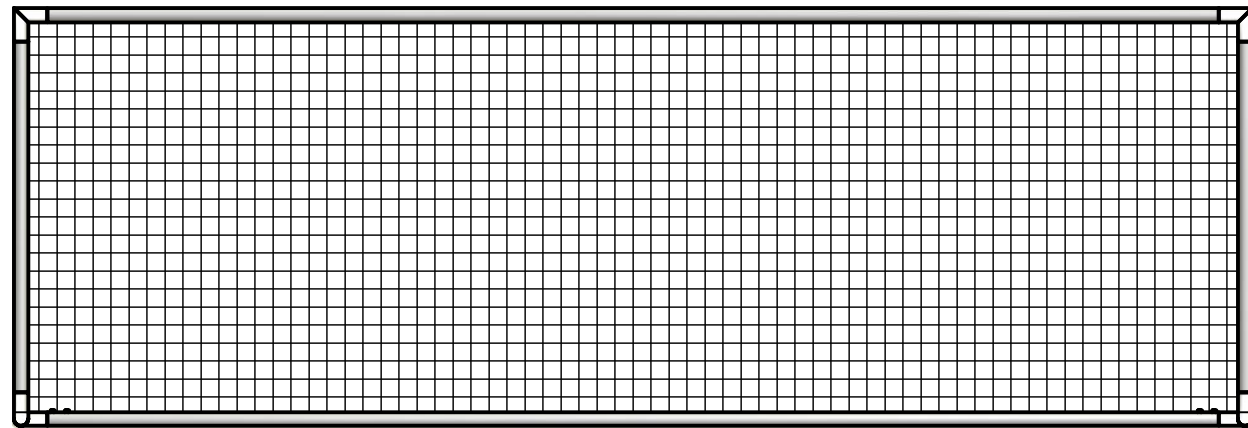
Desc:  
7'H X 21'W X 0'D X 7-1/4'B  
ACADEMY GOAL



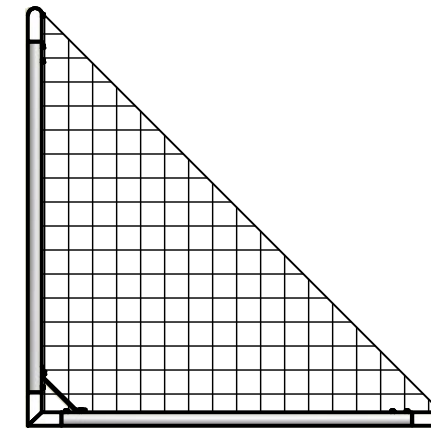
KWIK GOAL LTD.  
2B5005  
TOP VIEW



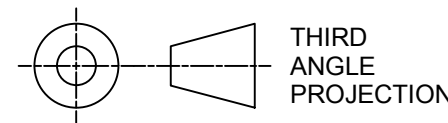
KWIK GOAL LTD.  
2B5005  
ISOMETRIC VIEW



KWIK GOAL LTD.  
2B5005  
FRONT VIEW



KWIK GOAL LTD.  
2B5005  
RIGHT VIEW



THIRD  
ANGLE  
PROJECTION

**KWIKGOAL**® 140 Pacific Drive  
Quakertown,  
Pa. 18951

DIMENSIONS ARE IN INCHES  
UNLESS OTHERWISE SPECIFIED

Approved By:  
Date:

Part #:  
**2B5005**

This item is the **exclusive**  
property of **KWIK GOAL LTD.**  
Reproduction or duplication  
**without** the express written  
consent of **KWIK GOAL LTD.**  
is **strictly forbidden.**

Drawn By: BRush  
Date: 7/18/2006  
Sheet: of 4  
Revision #: 3  
Cad File: 2B5005.idw

Desc:  
7'H X 21'W X 0'D X 7-1/4'B  
ACADEMY GOAL

**Finish Info.**