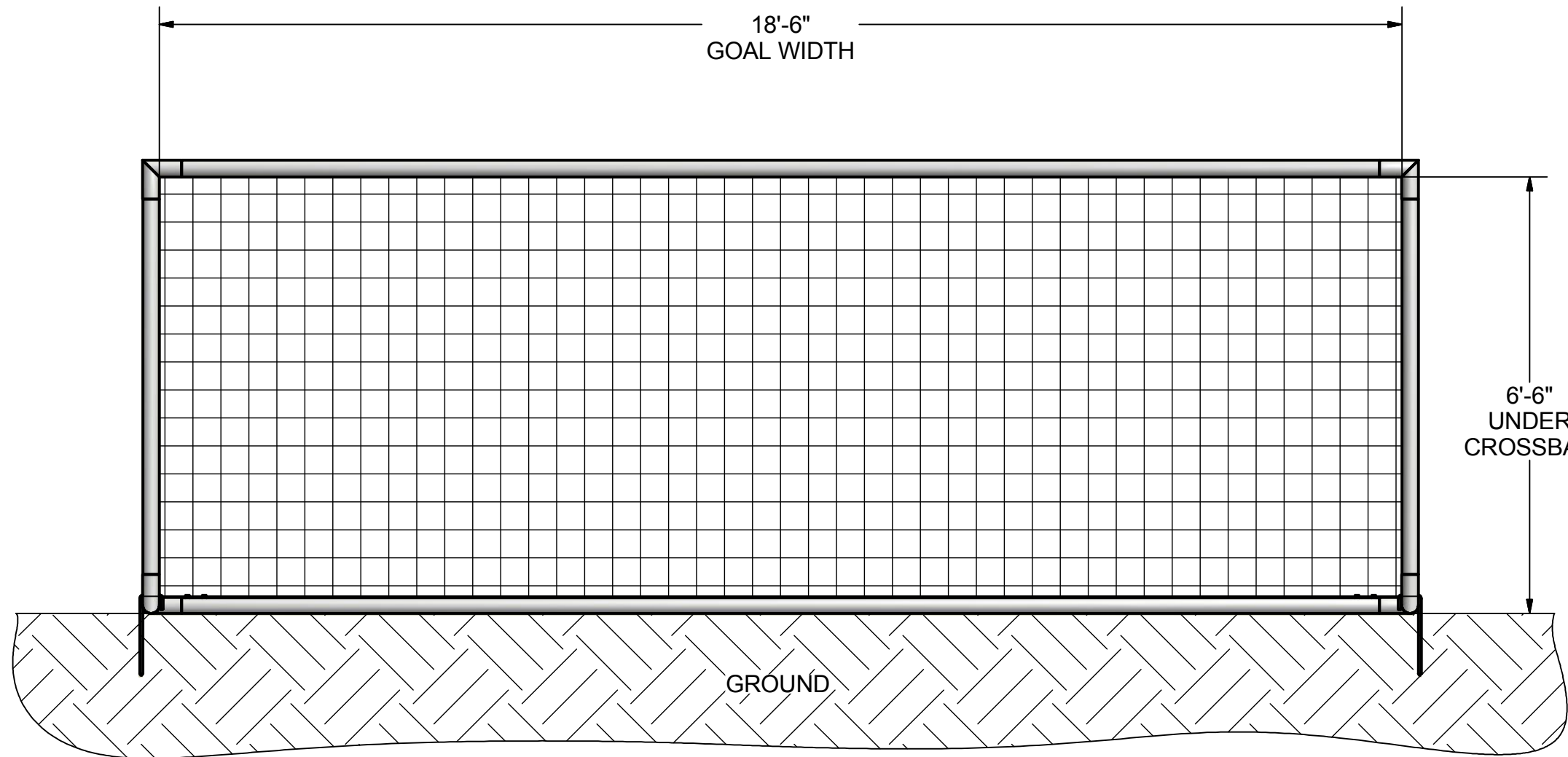
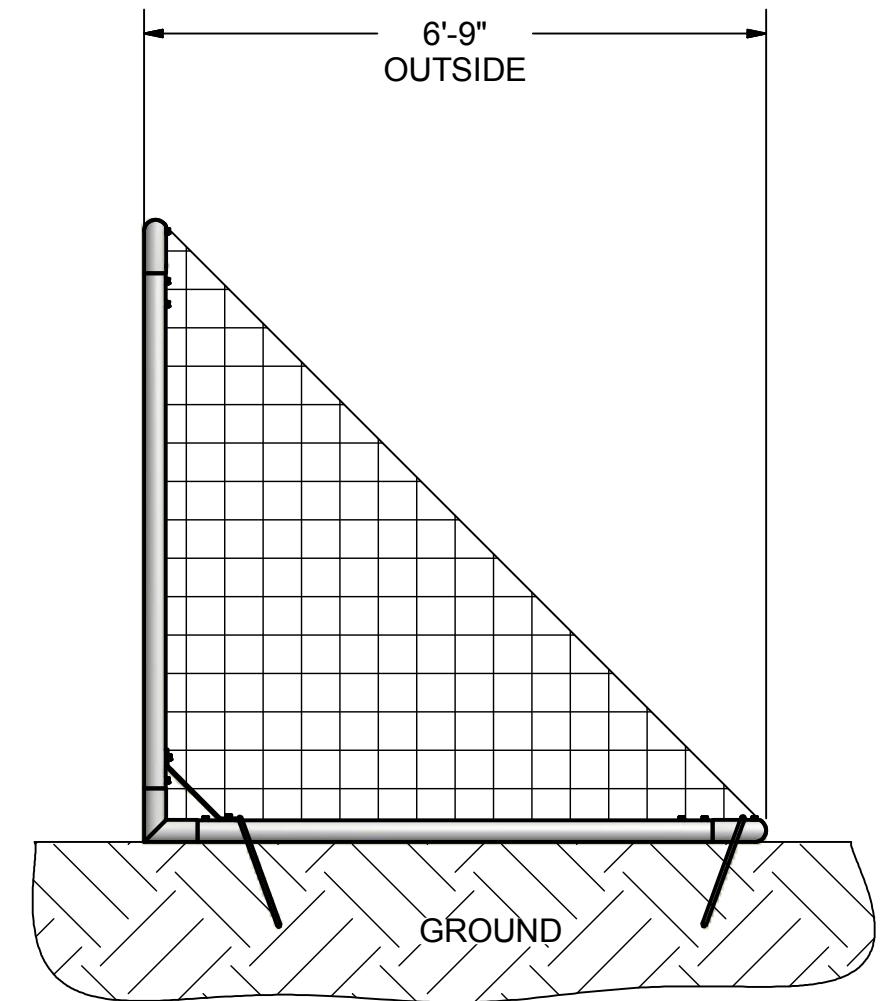


FRONT VIEW



SIDE VIEW



FEATURES:

- 1) ALUMINUM GOAL FRAME
- 2) FINISH: WHITE POWDER COAT

3) INCLUDED:

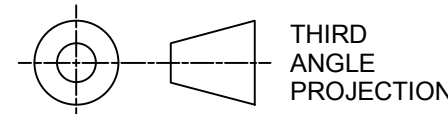
- J- ANCHORS
- 2.4mm ORANGE NET
- NET ATTACHMENT STRAPS

4) ASSEMBLED GOAL WEIGHT: 77 LBS.

5) ASTM F2056-00 STANDARD:

THIS GOAL DOES NOT FALL UNDER THE SCOPE OF ASTM F2056-00 BECAUSE OF IT'S SIZE AND/OR WEIGHT

Finish Info.



THIRD ANGLE PROJECTION



DIMENSIONS ARE IN INCHES UNLESS OTHERWISE SPECIFIED

Approved By:
Date:

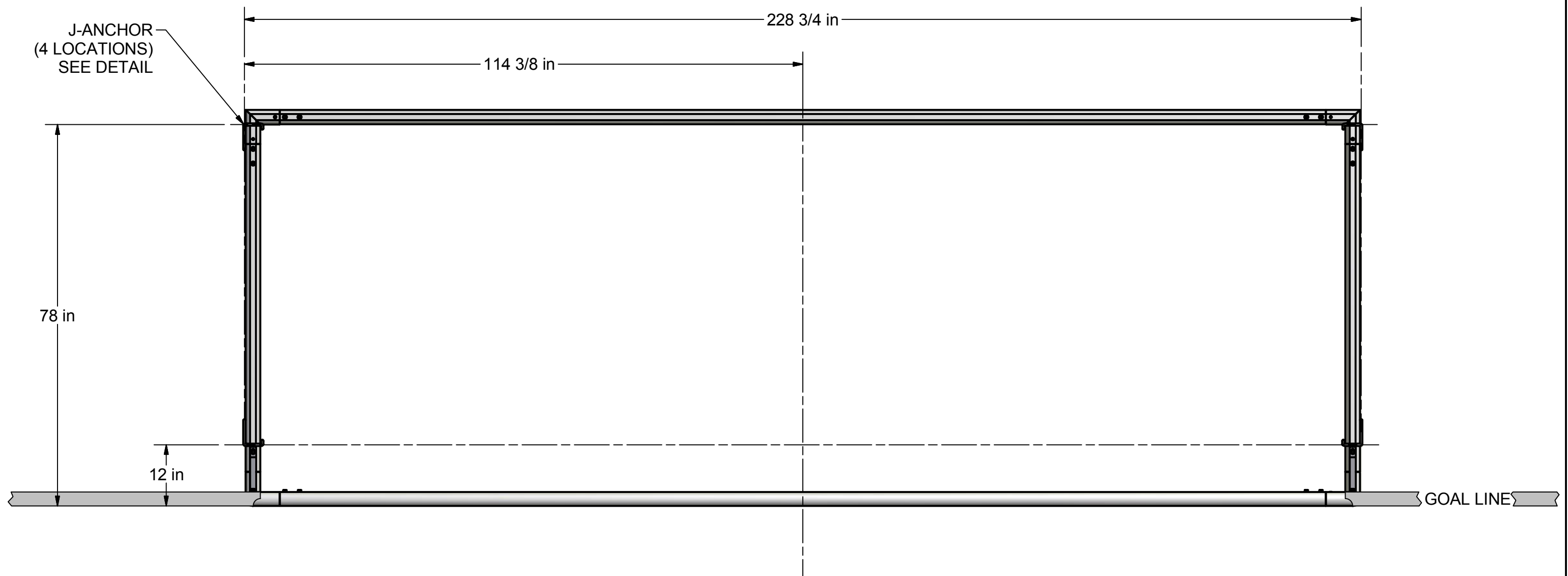
Part #:
2B5004

This item is the **exclusive** property of **KWIK GOAL LTD.** Reproduction or duplication **without** the express written consent of **KWIK GOAL LTD.** is **strictly forbidden.**

Drawn By: BRush
Date: 7/18/2006
Sheet: 1 of 4
Revision #: 3
Cad File: 2B5004.idw

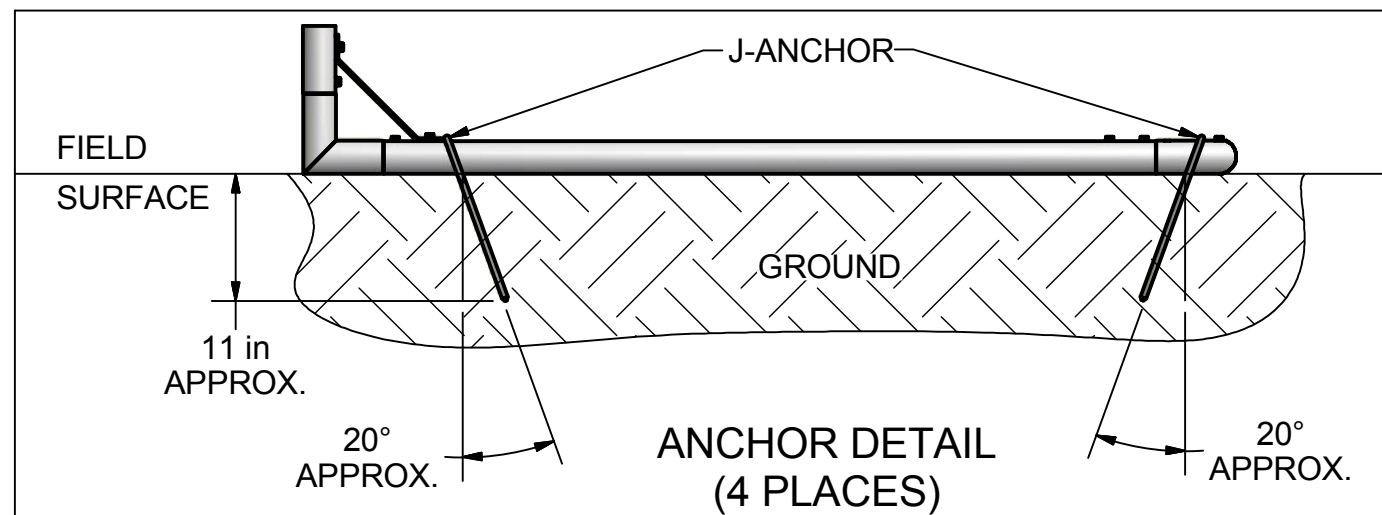
Desc:
6-1/2'H X 18-1/2'W X 0'D X 6-3/4'B ACADEMY GOAL

OVERHEAD VIEW

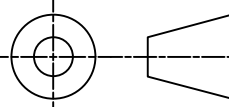



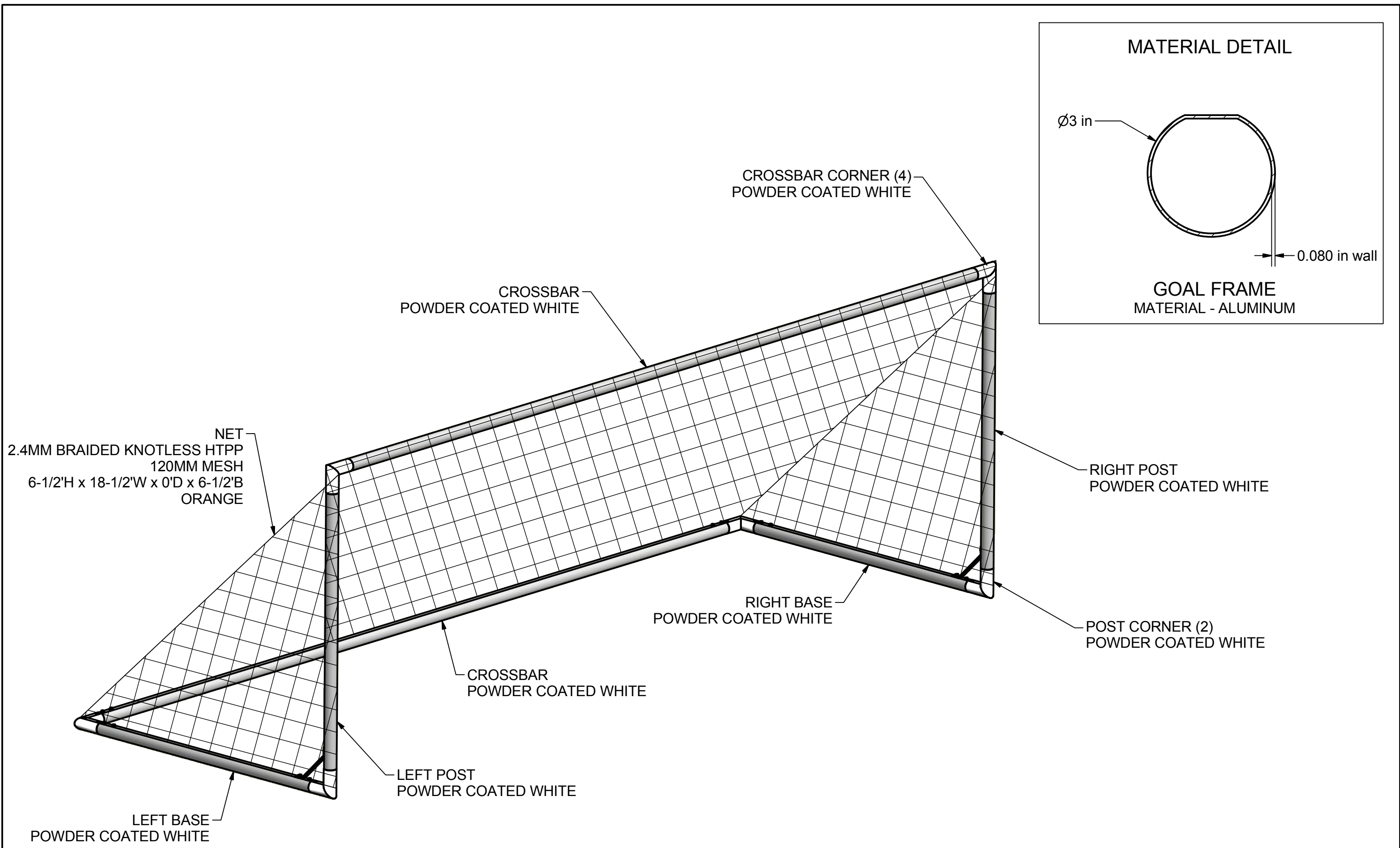
NOTES:

- 1) DIMENSIONS ARE FOR PLANNING PURPOSES. INSTALLATION MUST BE IN ACCORDANCE WITH INSTALLATION INSTRUCTIONS.



Finish Info.

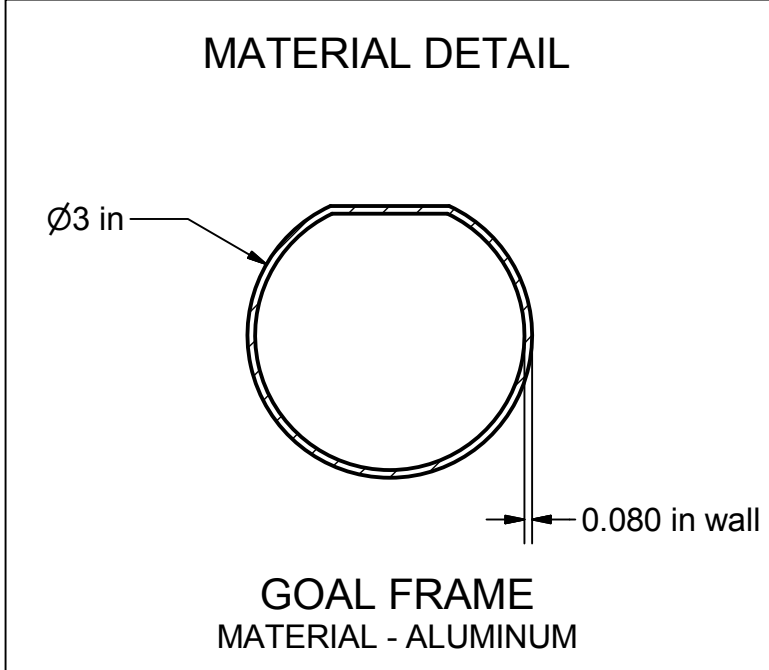
 <p>THIRD ANGLE PROJECTION</p>	 <p>140 Pacific Drive Quakertown, Pa. 18951</p>	
	<p>DIMENSIONS ARE IN INCHES UNLESS OTHERWISE SPECIFIED</p>	<p>Approved By:</p> <p>Date:</p>
<p>This item is the exclusive property of KWIK GOAL LTD. Reproduction or duplication without the express written consent of KWIK GOAL LTD. is strictly forbidden.</p>	<p>Drawn By: BRush</p> <p>Date: 7/18/2006</p> <p>Sheet: 2 of 4</p> <p>Revision #: 3</p> <p>Cad File: 2B5004.idw</p>	<p>Desc:</p> <p>6-1/2'H X 18-1/2'W X 0'D X 6-3/4'B ACADEMY GOAL</p>



NET
2.4MM BRAIDED KNOTLESS HTPP
120MM MESH
6-1/2'H x 18-1/2'W x 0'D x 6-1/2'B
ORANGE

CROSSBAR
POWDER COATED WHITE

CROSSBAR CORNER (4)
POWDER COATED WHITE



RIGHT POST
POWDER COATED WHITE

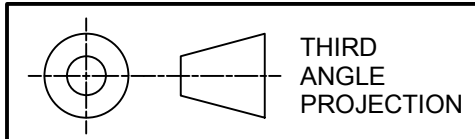
RIGHT BASE
POWDER COATED WHITE

POST CORNER (2)
POWDER COATED WHITE

CROSSBAR
POWDER COATED WHITE

LEFT POST
POWDER COATED WHITE

LEFT BASE
POWDER COATED WHITE



KWIKGOAL® 140 Pacific Drive
Quakertown,
Pa. 18951

DIMENSIONS ARE IN INCHES
UNLESS OTHERWISE SPECIFIED

Approved By:
Date:

Part #:
2B5004

This item is the **exclusive** property of **KWIK GOAL LTD.** Reproduction or duplication **without** the express written consent of **KWIK GOAL LTD.** is **strictly forbidden.**

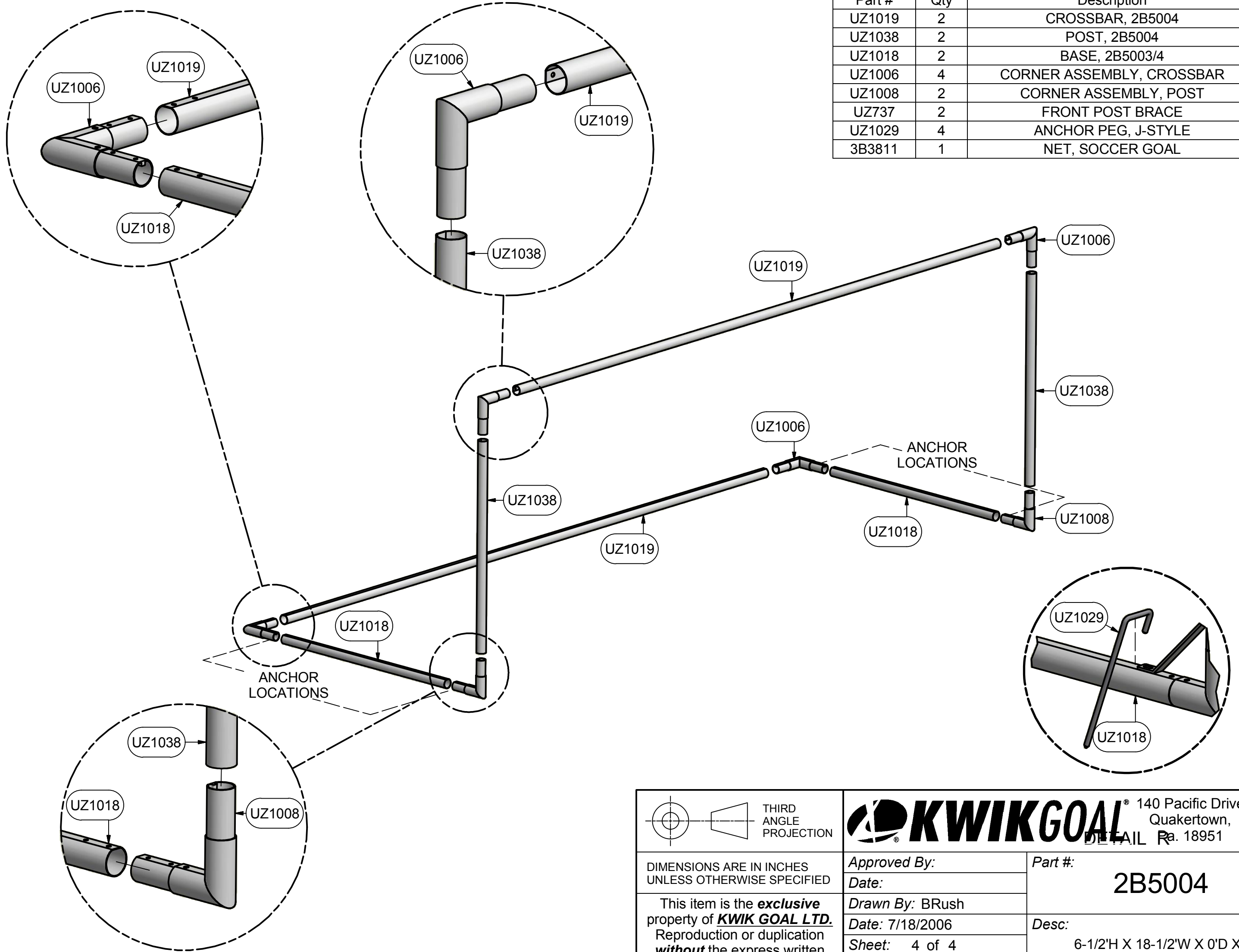
Drawn By: BRush
Date: 7/18/2006
Sheet: 3 of 4
Revision #: 3
Cad File: 2B5004.idw

Desc:
6-1/2'H X 18-1/2'W X 0'D X
6-3/4'B ACADEMY GOAL

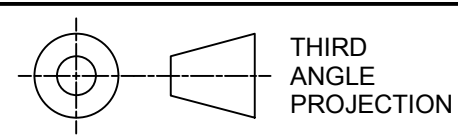
Finish Info.

Parts List

Part #	Qty	Description
UZ1019	2	CROSSBAR, 2B5004
UZ1038	2	POST, 2B5004
UZ1018	2	BASE, 2B5003/4
UZ1006	4	CORNER ASSEMBLY, CROSSBAR
UZ1008	2	CORNER ASSEMBLY, POST
UZ737	2	FRONT POST BRACE
UZ1029	4	ANCHOR PEG, J-STYLE
3B3811	1	NET, SOCCER GOAL



Finish Info.



KWIKGOAL 140 Pacific Drive
Quakertown, Pa. 18951

DIMENSIONS ARE IN INCHES UNLESS OTHERWISE SPECIFIED

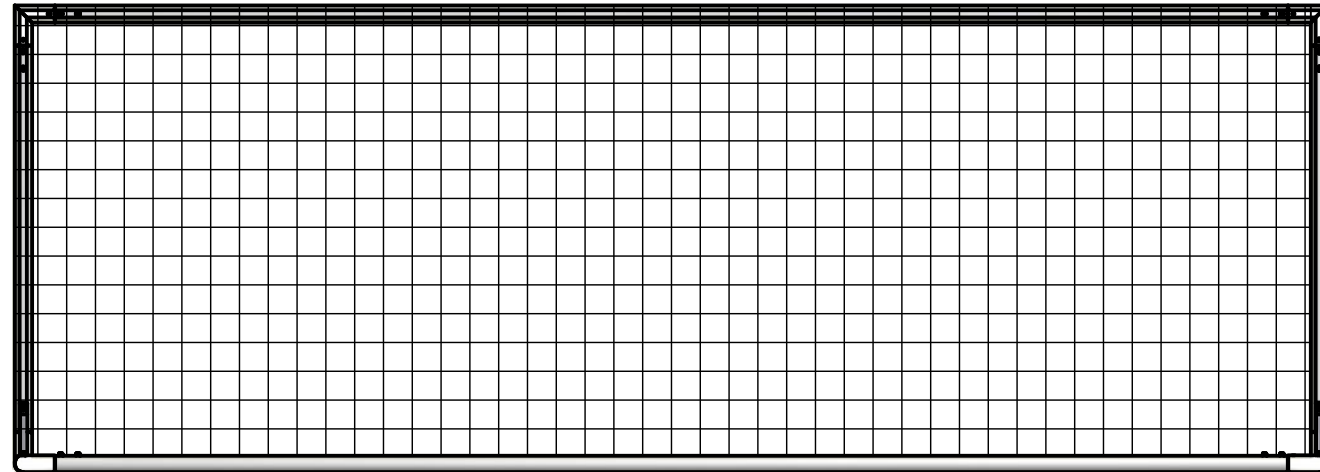
Approved By:
Date:

Part #:
2B5004

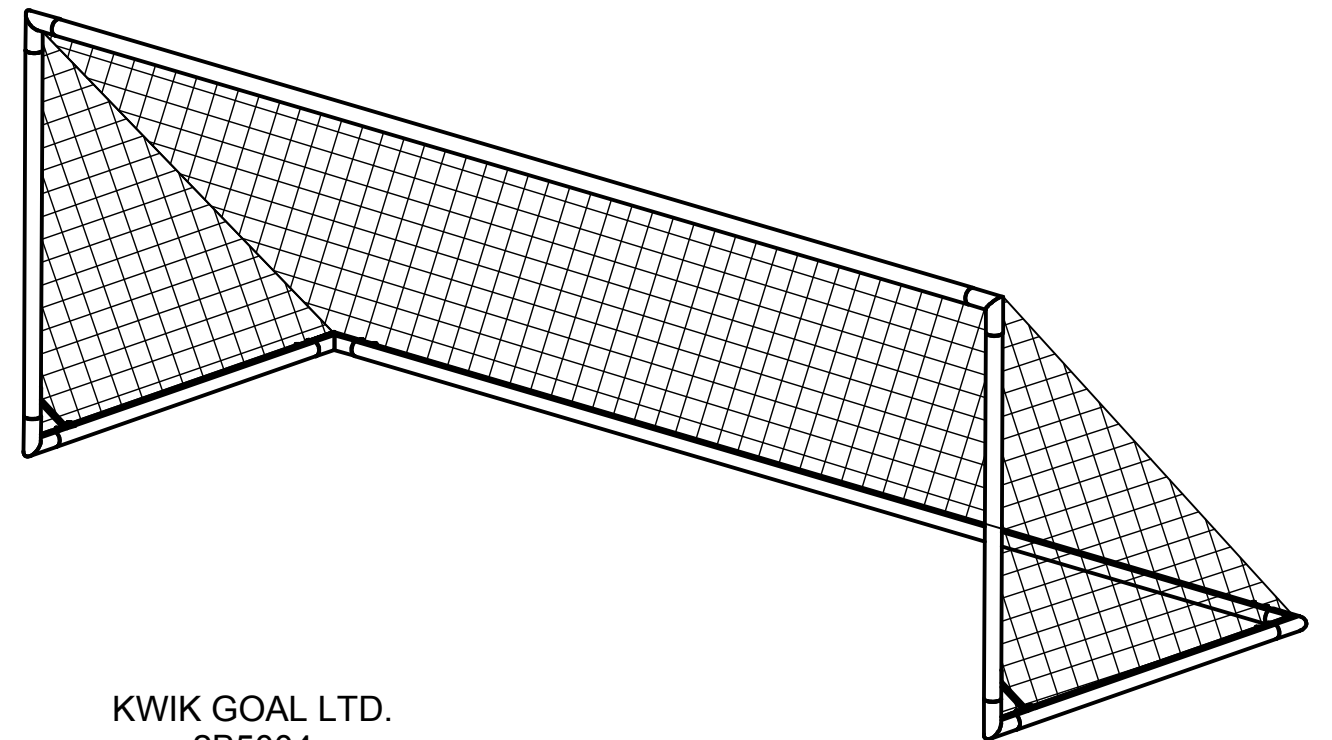
This item is the **exclusive** property of **KWIK GOAL LTD.** Reproduction or duplication **without** the express written consent of **KWIK GOAL LTD.** is **strictly forbidden.**

Drawn By: BRush
Date: 7/18/2006
Sheet: 4 of 4
Revision #: 3
Cad File: 2B5004.idw

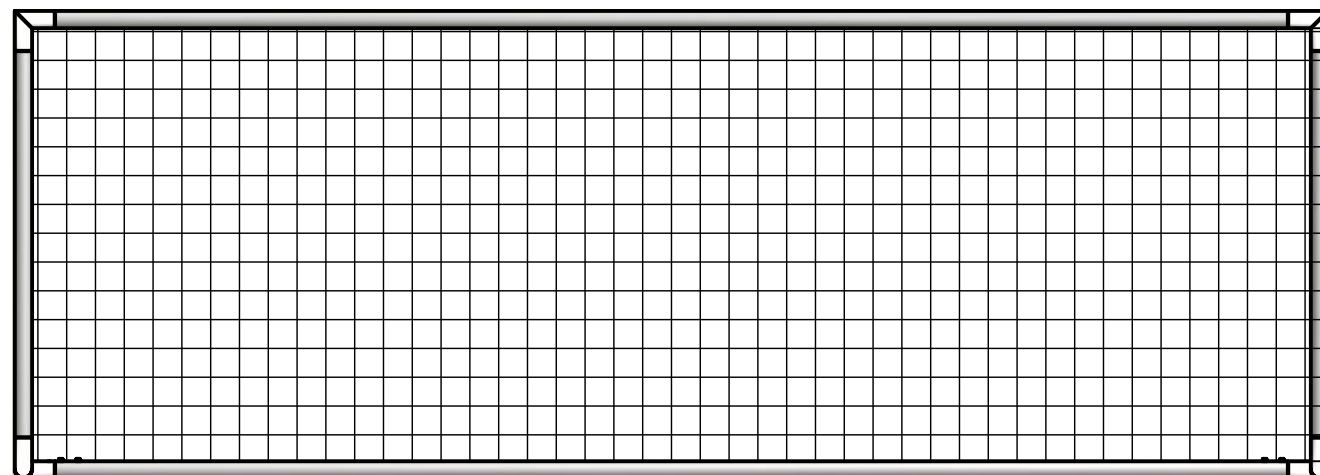
Desc:
6-1/2'H X 18-1/2'W X 0'D X 6-3/4'B ACADEMY GOAL



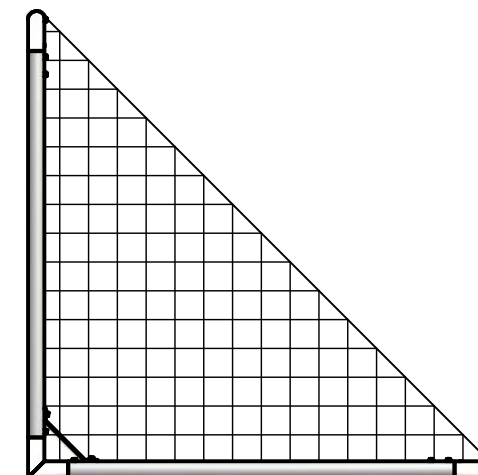
KWIK GOAL LTD.
2B5004
TOP VIEW



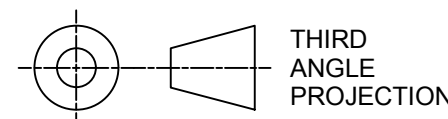
KWIK GOAL LTD.
2B5004
ISOMETRIC VIEW



KWIK GOAL LTD.
2B5004
FRONT VIEW



KWIK GOAL LTD.
2B5004
RIGHT VIEW



THIRD
ANGLE
PROJECTION

KWIKGOAL® 140 Pacific Drive
Quakertown,
Pa. 18951

DIMENSIONS ARE IN INCHES
UNLESS OTHERWISE SPECIFIED

Approved By:
Date:

Part #:
2B5004

This item is the **exclusive**
property of **KWIK GOAL LTD.**
Reproduction or duplication
without the express written
consent of **KWIK GOAL LTD.**
is **strictly forbidden.**

Drawn By: BRush
Date: 7/18/2006
Sheet: of 4
Revision #: 3
Cad File: 2B5004.idw

Desc:
6-1/2'H X 18-1/2'W X 0'D X
6-3/4'B ACADEMY GOAL

Finish Info.