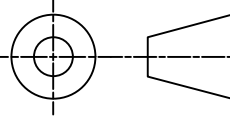



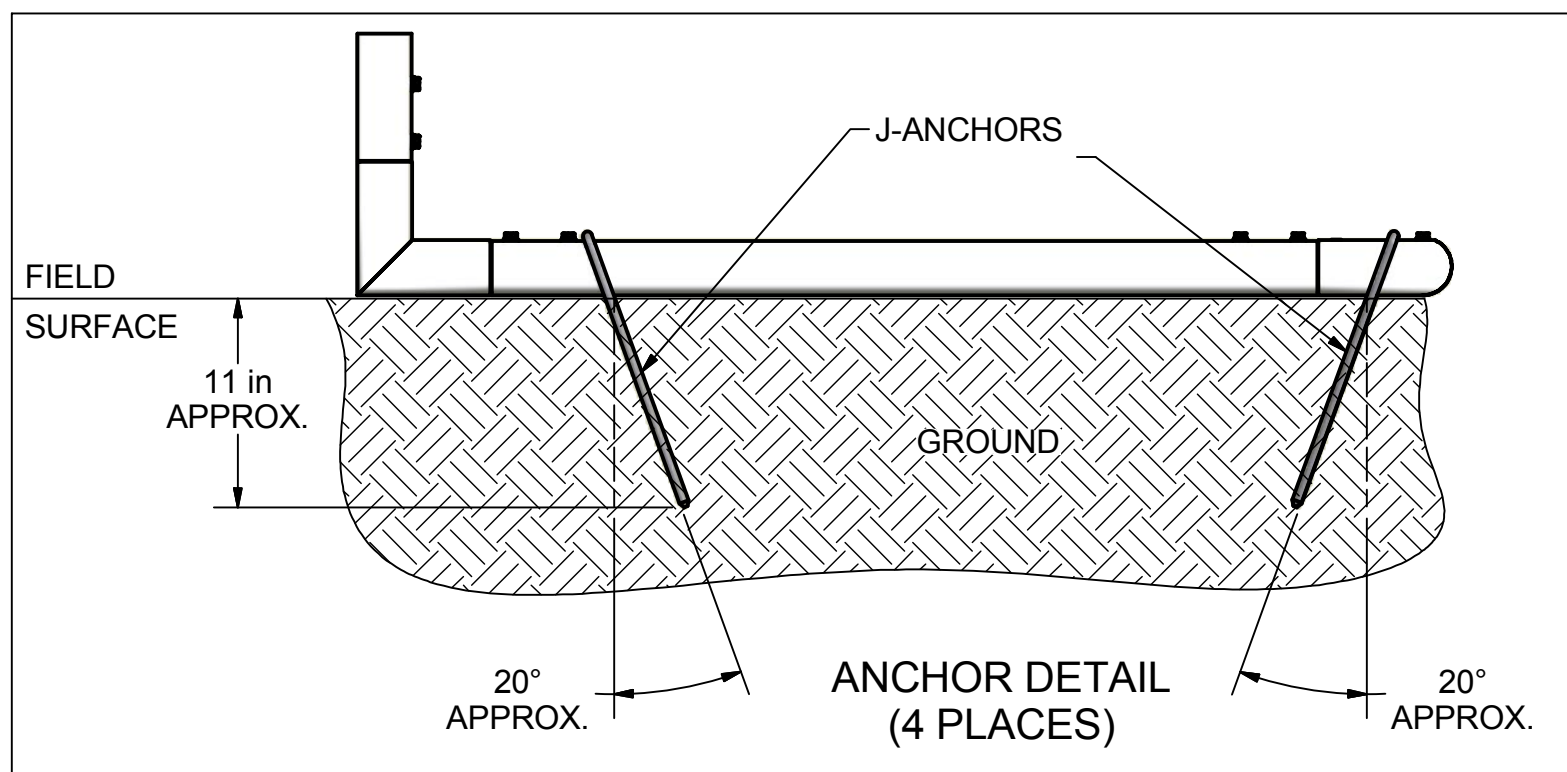
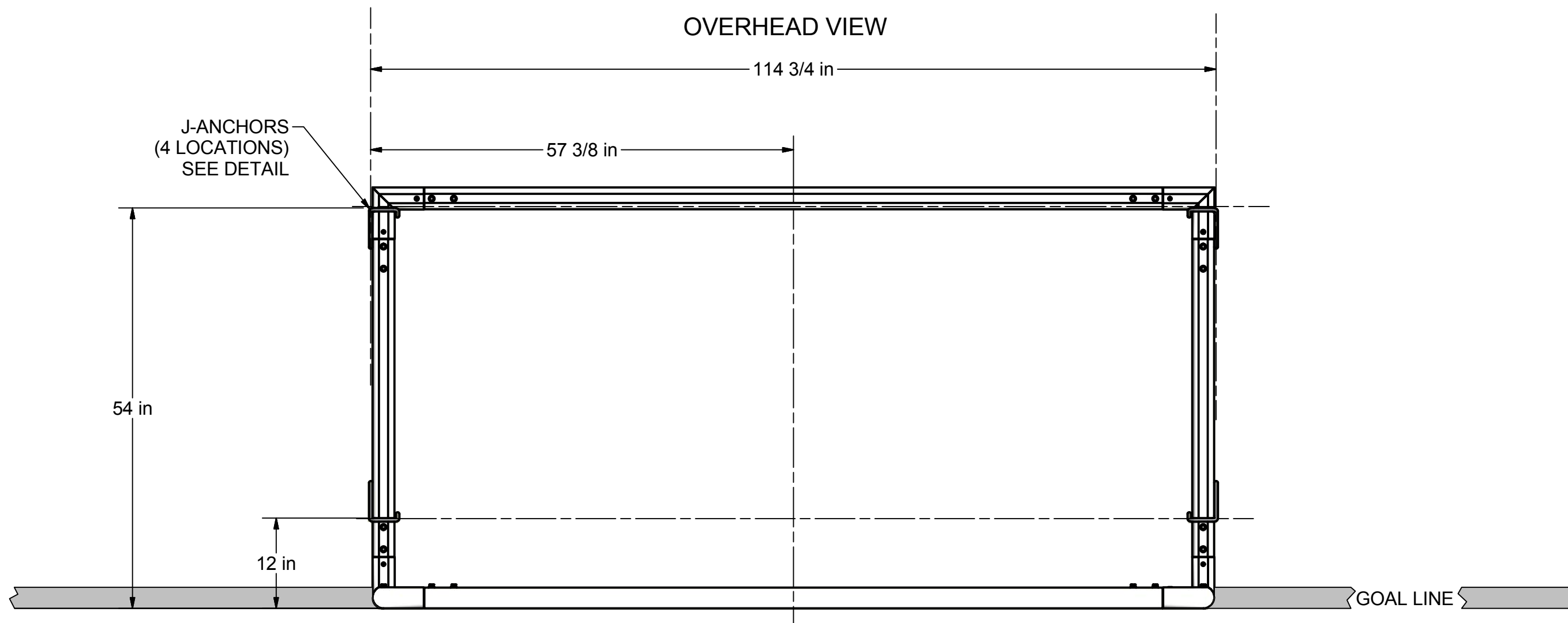
FEATURES:

- 1) ALUMINUM GOAL FRAME
- 2) FINISH: WHITE POWDER COAT
- 3) INCLUDED:
 - J- ANCHORS
 - 2.4 mm, ORANGE NET
 - NET ATTACHMENT STRAPS
- 4) ASSEMBLED GOAL WEIGHT: 50 LBS.
- 5) ASTM F2056-00 STANDARD:

THIS GOAL DOES NOT FALL UNDER THE SCOPE OF ASTM F2056-00 BECAUSE OF IT'S SIZE AND/OR WEIGHT

Finish Info.

| | | |
|---|--|--|
|  THIRD ANGLE PROJECTION |  140 Pacific Drive Quakertown, Pa. 18951 | |
| | DIMENSIONS ARE IN INCHES UNLESS OTHERWISE SPECIFIED | Approved By: Date: |
| This item is the exclusive property of KWIK GOAL LTD. Reproduction or duplication without the express written consent of KWIK GOAL LTD. is strictly forbidden. | Drawn By: KFrish | Desc: 4-1/2'H X 9'W X 0'D X 4-3/4'B ACADEMY GOAL |
| | Date: 2/1/2011 | |
| | Sheet: 1 of 4 Revision #: 2 | |
| Cad File: 2B5002.idw | | |

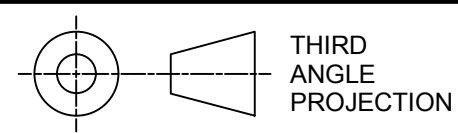
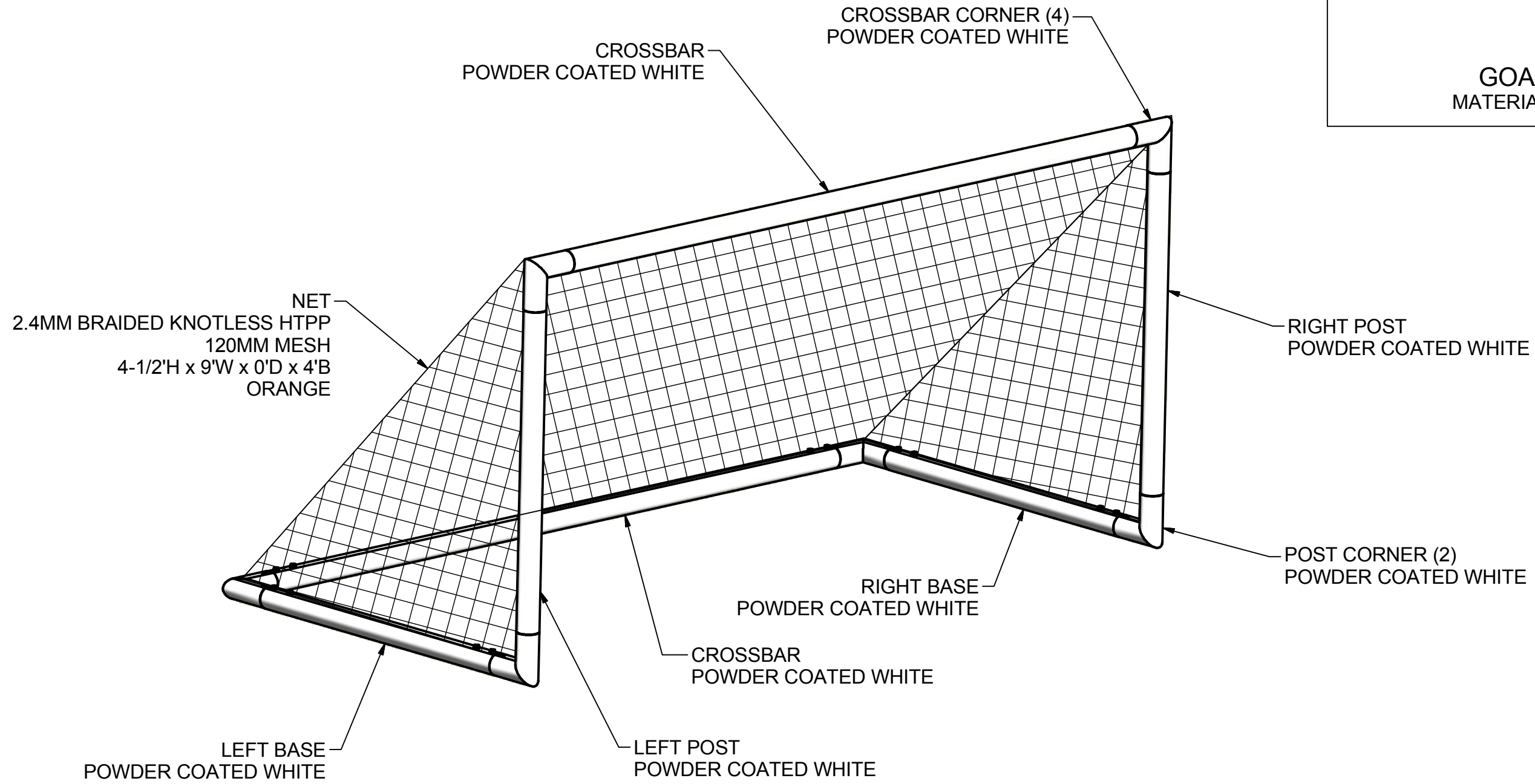
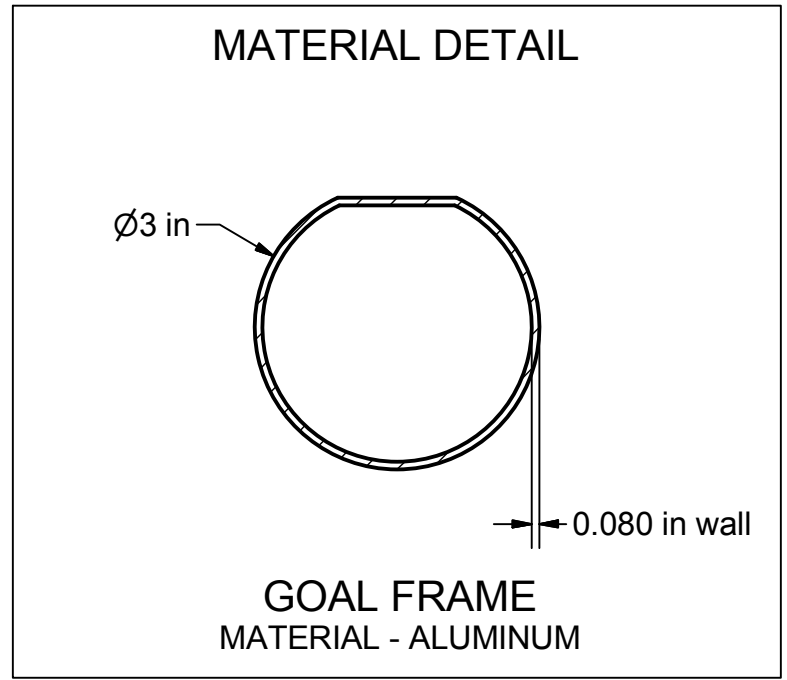


NOTES:

- 1) DIMENSIONS ARE FOR PLANNING PURPOSES. INSTALLATION MUST BE IN ACCORDANCE WITH INSTALLATION INSTRUCTIONS.

| | | |
|--|---|--|
| <p>THIRD ANGLE PROJECTION</p> | <p>140 Pacific Drive Quakertown, Pa. 18951</p> | |
| | <p>DIMENSIONS ARE IN INCHES UNLESS OTHERWISE SPECIFIED</p> | <p>Approved By:</p> <p>Date:</p> |
| <p>This item is the exclusive property of KWIK GOAL LTD. Reproduction or duplication without the express written consent of KWIK GOAL LTD. is strictly forbidden.</p> | <p>Drawn By: KFrish</p> <p>Date: 2/1/2011</p> <p>Sheet: 2 of 4</p> <p>Revision #: 2</p> <p>Cad File: 2B5002.idw</p> | <p>Desc:</p> <p>4-1/2'H X 9'W X 0'D X 4-3/4'B ACADEMY GOAL</p> |

Finish Info.



KWIKGOAL® 140 Pacific Drive
Quakertown,
Pa. 18951

DIMENSIONS ARE IN INCHES
UNLESS OTHERWISE SPECIFIED

Approved By:
Date:

Part #:
2B5002

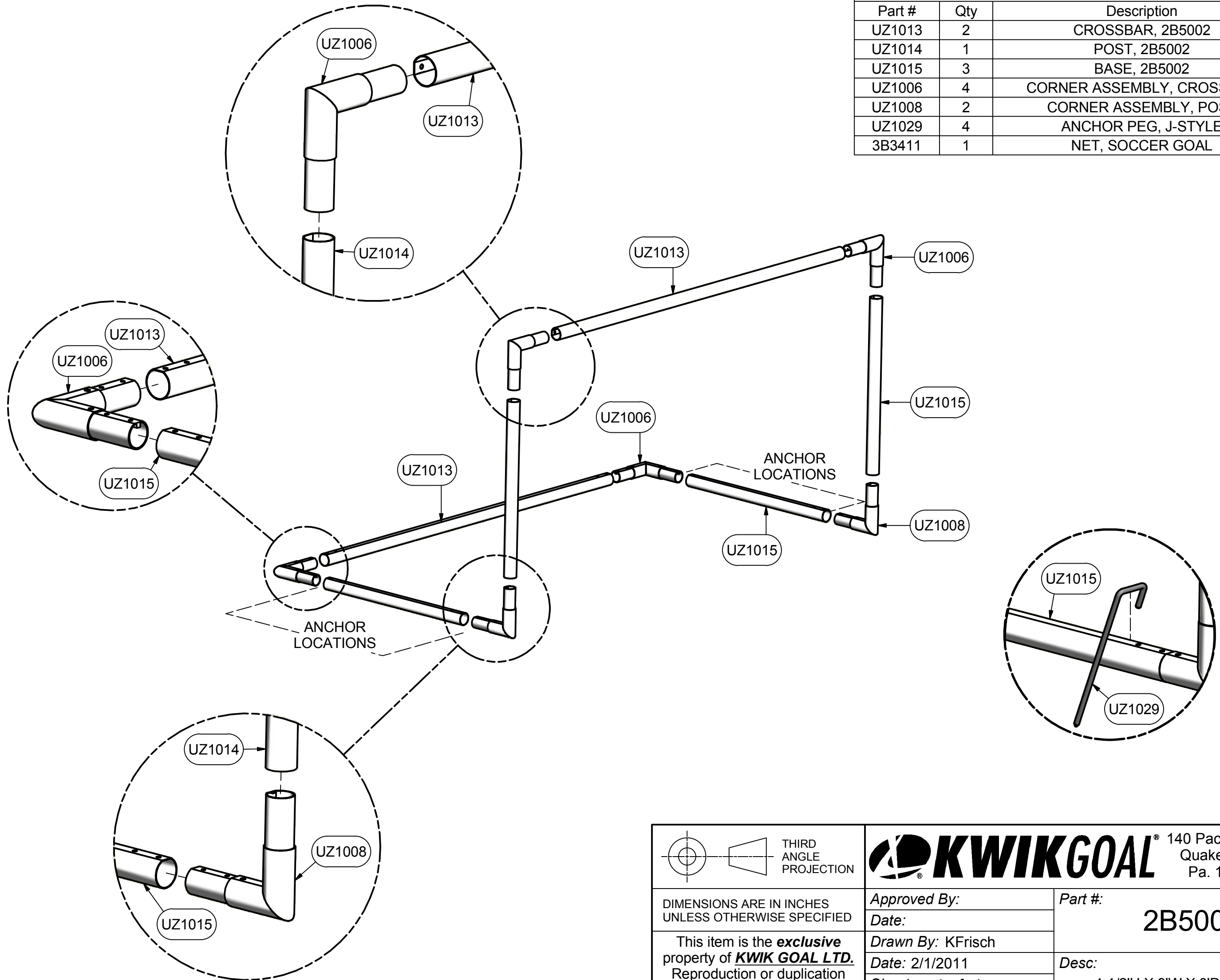
This item is the **exclusive** property of **KWIK GOAL LTD.** Reproduction or duplication **without** the express written consent of **KWIK GOAL LTD.** is **strictly forbidden.**

Drawn By: KFrish
Date: 2/1/2011
Sheet: 3 of 4
Revision #: 2
Cad File: 2B5002.idw

Desc:
4-1/2'H X 9'W X 0'D X 4-3/4'B
ACADEMY GOAL

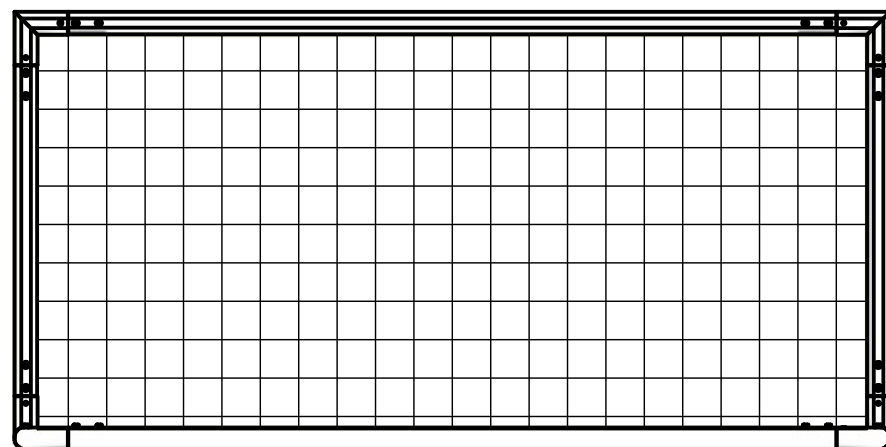
Finish Info.

| Parts List | | |
|------------|-----|---------------------------|
| Part # | Qty | Description |
| UZ1013 | 2 | CROSSBAR, 2B5002 |
| UZ1014 | 1 | POST, 2B5002 |
| UZ1015 | 3 | BASE, 2B5002 |
| UZ1006 | 4 | CORNER ASSEMBLY, CROSSBAR |
| UZ1008 | 2 | CORNER ASSEMBLY, POST |
| UZ1029 | 4 | ANCHOR PEG, J-STYLE |
| 3B3411 | 1 | NET, SOCCER GOAL |

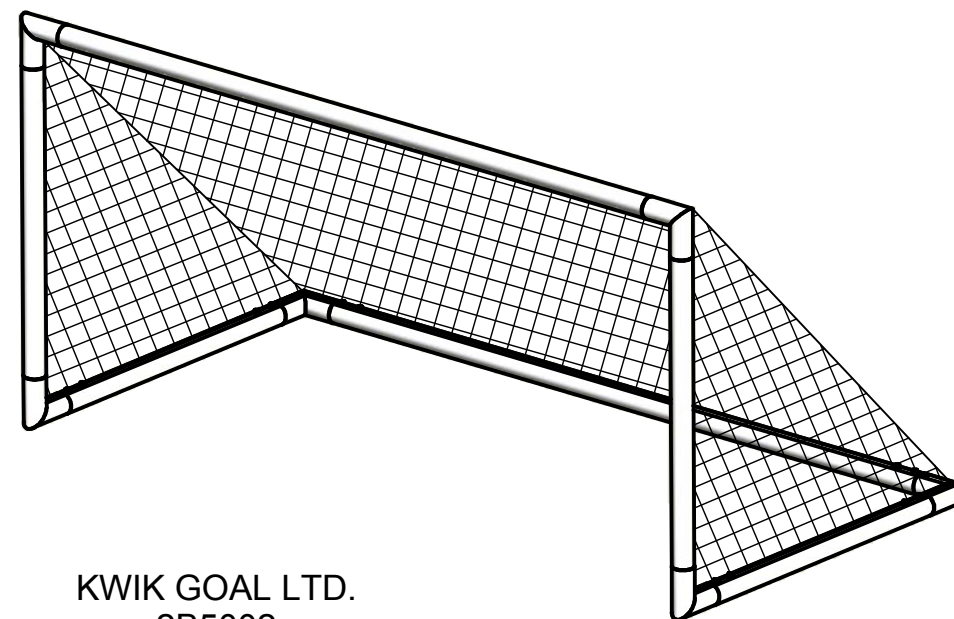


Finish Info.

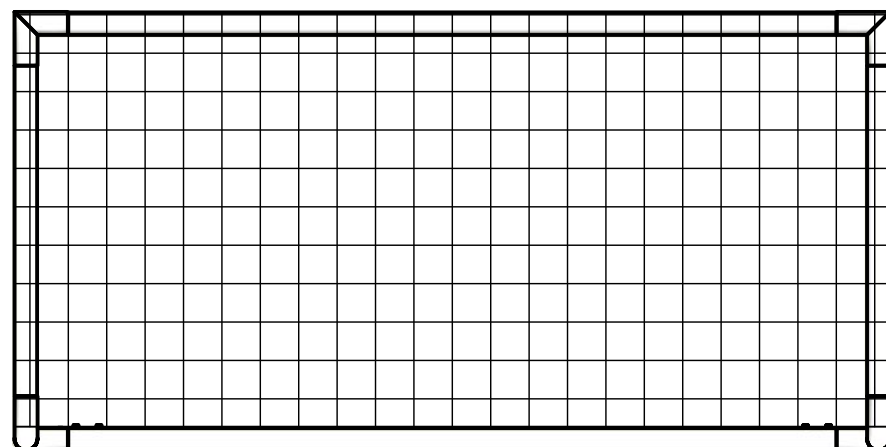
| | | |
|--|--|--|
| <p>THIRD ANGLE PROJECTION</p> | <p>140 Pacific Drive Quakertown, Pa. 18951</p> | |
| | <p>DIMENSIONS ARE IN INCHES UNLESS OTHERWISE SPECIFIED</p> | <p>Approved By:</p> <p>Date:</p> |
| <p>This item is the exclusive property of KWIK GOAL LTD. Reproduction or duplication without the express written consent of KWIK GOAL LTD. is strictly forbidden.</p> | <p>Drawn By: KFrish</p> | <p>Desc:</p> <p>4-1/2'H X 9'W X 0'D X 4-3/4'B ACADEMY GOAL</p> |
| | <p>Date: 2/1/2011</p> | |
| | <p>Sheet: 4 of 4</p> | |
| | <p>Revision #: 2</p> | |
| <p>Cad File: 2B5002.idw</p> | | |



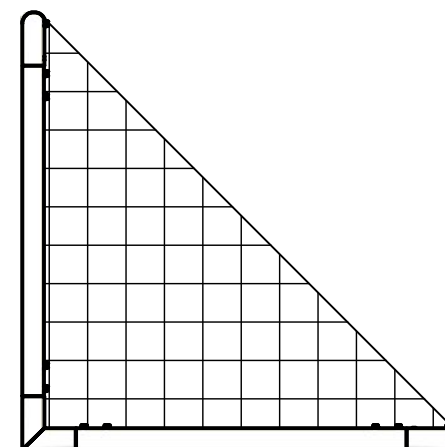
KWIK GOAL LTD.
2B5002
TOP VIEW



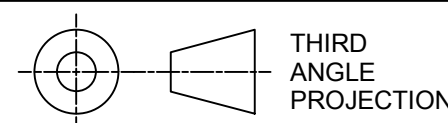
KWIK GOAL LTD.
2B5002
ISOMETRIC VIEW



KWIK GOAL LTD.
2B5002
FRONT VIEW



KWIK GOAL LTD.
2B5002
RIGHT VIEW



THIRD
ANGLE
PROJECTION

KWIKGOAL® 140 Pacific Drive
Quakertown,
Pa. 18951

DIMENSIONS ARE IN INCHES
UNLESS OTHERWISE SPECIFIED

Approved By:

Part #:

Date:

2B5002

This item is the **exclusive**
property of **KWIK GOAL LTD.**
Reproduction or duplication
without the express written
consent of **KWIK GOAL LTD.**
is **strictly forbidden.**

Drawn By: KFrish

Desc:

Date: 2/1/2011

4-1/2'H X 9'W X 0'D X 4-3/4'B
ACADEMY GOAL

Sheet: of 4

Revision #: 2

Cad File: 2B5002.idw

Finish Info.