



IMPORTANT GOAL SAFETY INSTRUCTIONS
READ CAREFULLY

1. Check for structural integrity and proper connecting hardware before every use. Replace damaged or missing parts or fasteners immediately.
2. Safety/Warning labels must be clearly visible.
3. Securely anchor moveable soccer goals at ALL times.
4. Always instruct players, managers, coaches, trainers, teachers, maintenance workers and all other personnel who might come in contact with the goal, on the safe handling of and potential dangers associated with moveable soccer goals.
5. Always exercise extreme caution when moving goals and provide adequate manpower to move goals of varied sizes and weights. Moveable soccer goals should only be moved by authorized personnel.
6. NEVER allow anyone to climb on the net or goal framework.
7. Moveable soccer goals should only be used on LEVEL fields, NEVER on a slope or hill area.
8. Remove nets when goals are not in use.
9. Most of the tip-over injuries occurred when goals were unattended. Anchor or chain one goal to another or to nearby fence posts, dugouts, or any other similar sturdy fixture when not in use. If this is not practical, store moveable soccer goals in a place where children cannot have access to them.
10. Fully disassemble goals for seasonal storage.

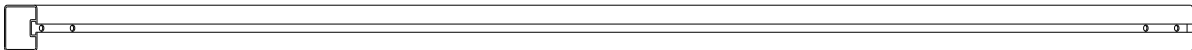


All Kwik Goal products carry a **Lifetime Guarantee**. For help with guarantee issues, visit kwikgoal.com and click on the **Lifetime Guarantee** logo or contact customer service at 1-800-531-4252.

ASSEMBLY INSTRUCTIONS FOR 2P201 OFFICIAL FUTSAL GOAL

1. Unpack all parts and check for damage that may have occurred during shipping. If damage has occurred, notify trucking company immediately. Lay out all parts. Remove all cardboard and packaging immediately. Wet or damp packaging may damage contents.
2. Read through entire instruction before beginning assembly and installation.

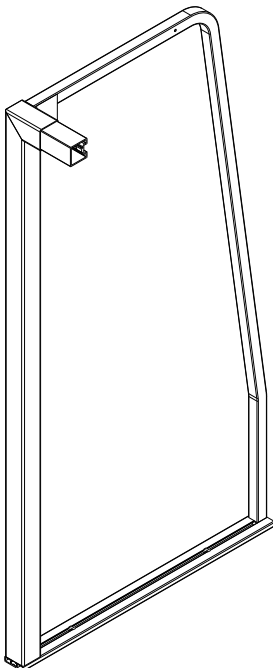
Rail (1)
(Part# UZ813)



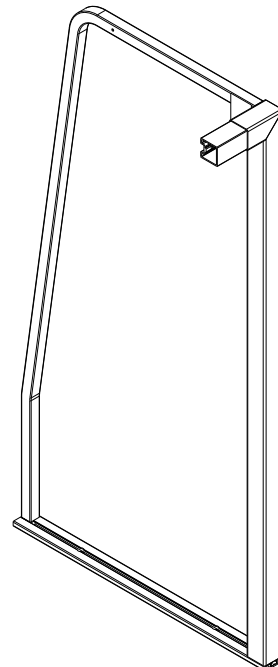
Back Bottom Bar (1)
(Part# UZ831)



Left Arm Assembly (1)
(Part# UZ829)

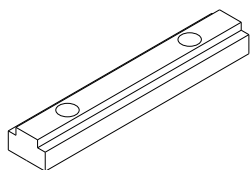


Right Arm Assembly (1)
(Part# UZ830)

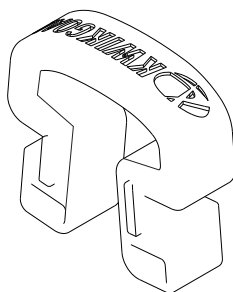


140 Pacific Drive Quakertown, PA 18951
(P) 215-536-2200 / (P) 800-531-4252 / (F) 215-536-4309 / (F) 800-778-8869
Visit our website @ kwikgoal.com
© 2002, Rev. 2011 Kwik Goal Ltd.

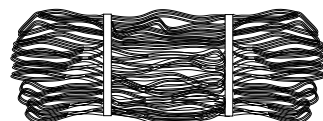
Channel Spacer (2)
(Part# UZ812)



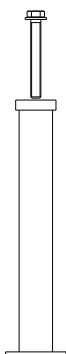
Net Clip (40)
(Part# VZ116)



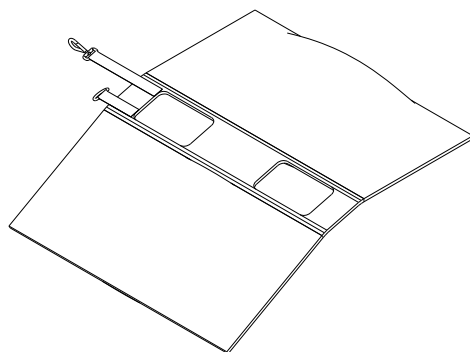
Net (1)
(Part# 3B5001)



Ground Anchor (4)
w/hardware
(Part# UZ212)



Anchor Bag (4)
(Part# 10B1605)



Hardware

Note: Hardware may be packaged separately in one or more boxes. Open all packages before beginning assembly.

- 3/8" x 3" Flat Head Bolt (Part# TZ244) (2)
- 3/8" Flat Washer (Part# TZ189) (2)
- 3/8" Hex Nut (Part# TZ166) (2)
- 3/8" Lock Washer (Part# TZ301) (2)
- 1/4" Eyebolt (Part# TZ23) (2)
- 1/4" Flat Washer (Part# TZ147) (2)
- 1/4" Lock Nut (Part# TZ19) (2)

JZ71 Stainless Steel Hardware for Rail Connections includes: (1)

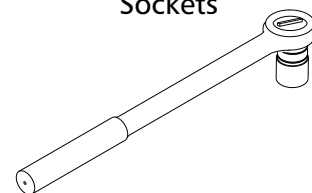
- 3/8" x 1 1/4" Hex Bolt (Part# TZ59) (4)
- 3/8" Lock Washer (Part# TZ65) (4)
- 3/8" Flat Washer (Part# TZ60) (4)

Assembly Tools

7/16", 9/16" & 3/4"
Wrenches

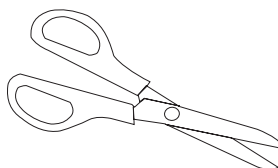


Ratchet with
7/16", 9/16" & 3/4"
Sockets



AND

Scissors

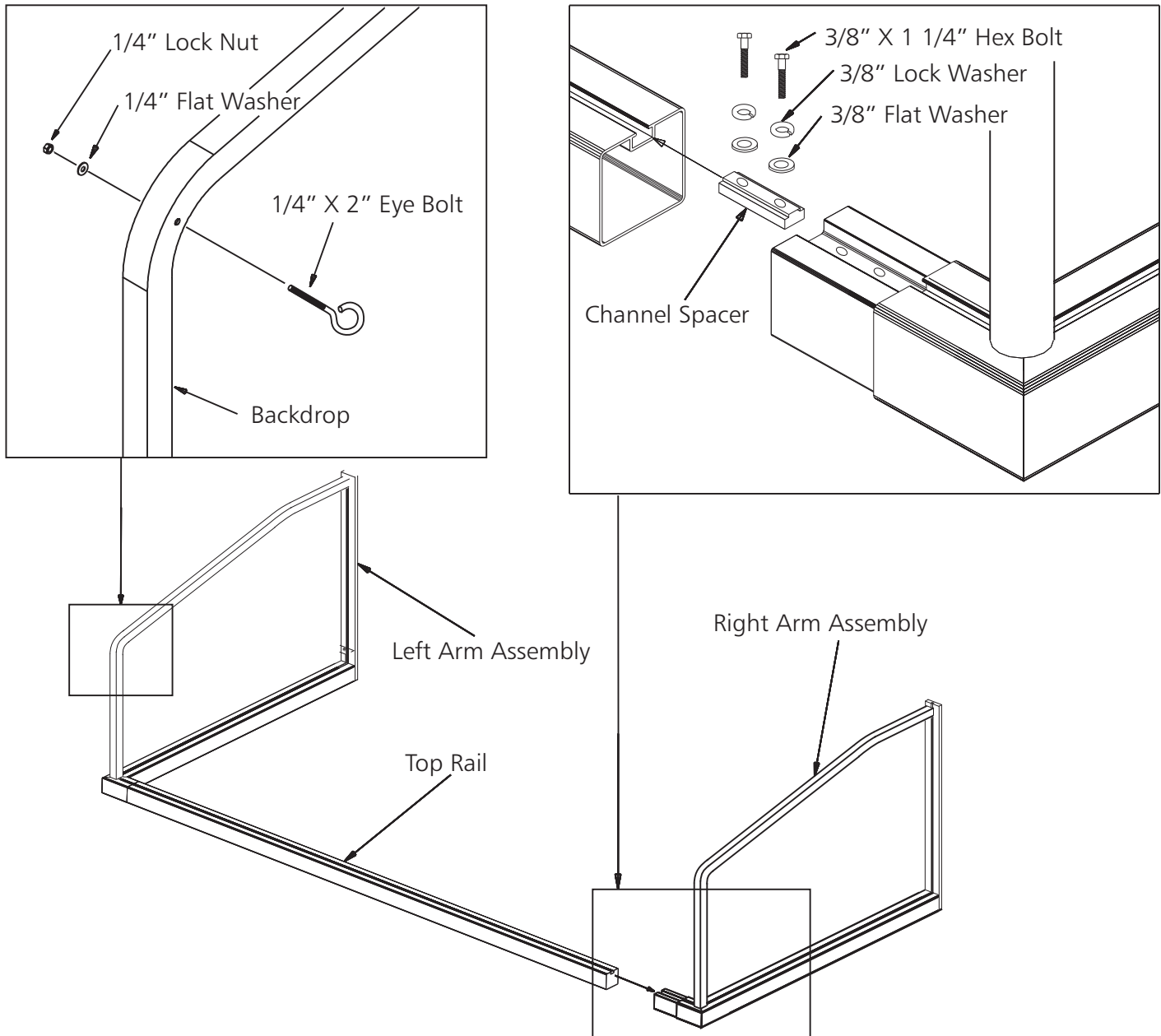


3. Lay out right arm assembly and left arm assembly face down on ground, and attach eye bolt to backstays.

4. Insert channel spacers into channel on each end of top rail. Connect rail with 3/8" hex bolts.

NOTE: Special stainless steel hardware is used on rail connections. Be sure to use hardware packaged separately and labeled as JZ71.

CAUTION: DO NOT OVER-TIGHTEN BOLTS.

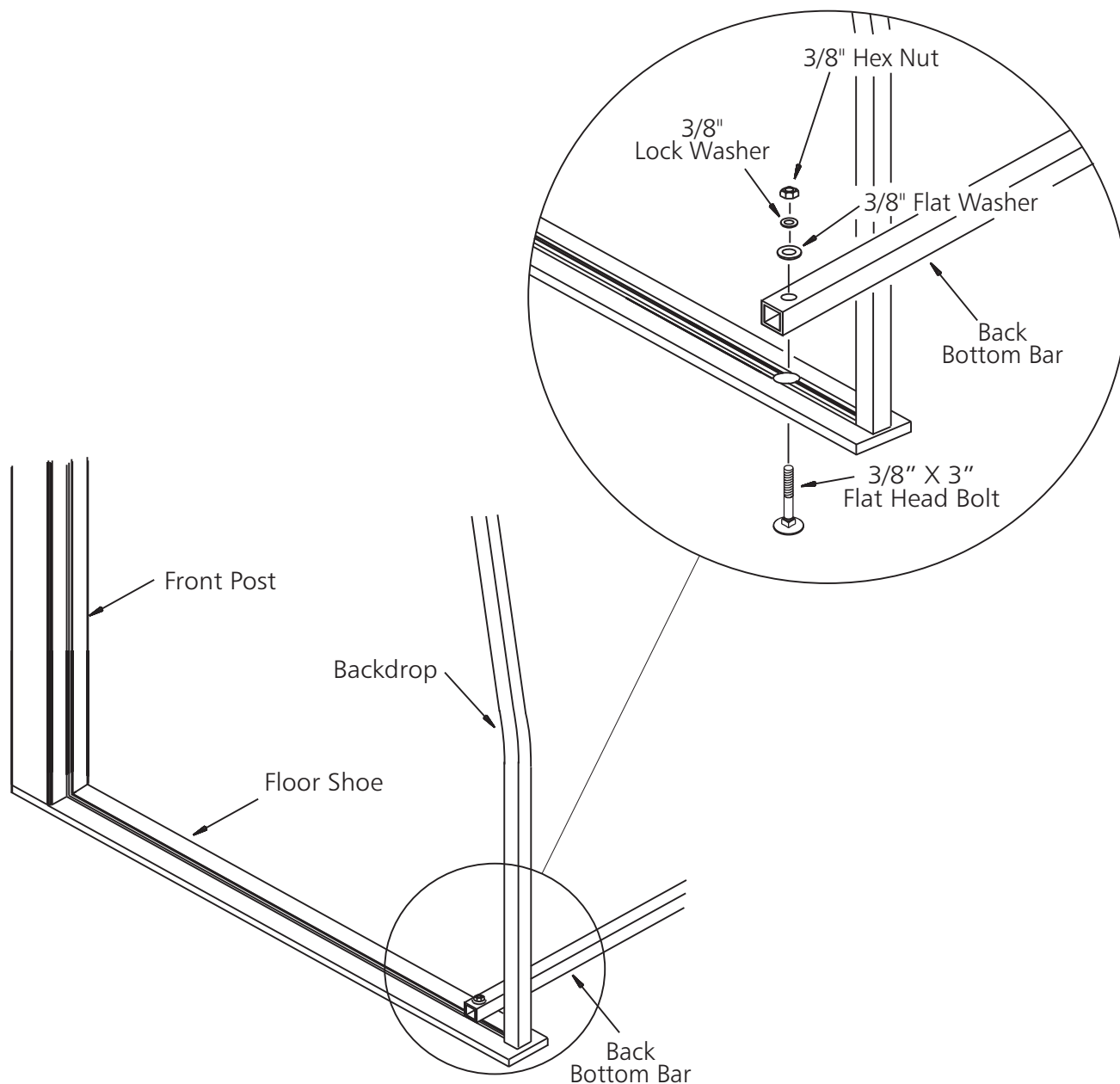


*****CAUTION*****

This goal has been designed to be used for the game of soccer only. Goal posts must be anchored AT ALL TIMES and shall be secured against tilting. Do not climb on the net or goal framework at anytime!

All fastenings must be checked to insure they are fully tightened before and after each use of this product. Goal posts not in use must be disassembled and properly stored in a safe, secure area. (See Guidelines for Moveable Soccer Goal Safety, included.) Assembled goal posts should not be left unattended. Remove nets when goals are not in use. Do not use this equipment during the threat of high winds. Goal posts should be checked for safety before and after each use. All warning and safety labels included with this product must be visible at all times. Any modifications to this or any Kwik Goal product will void any and all warranties.

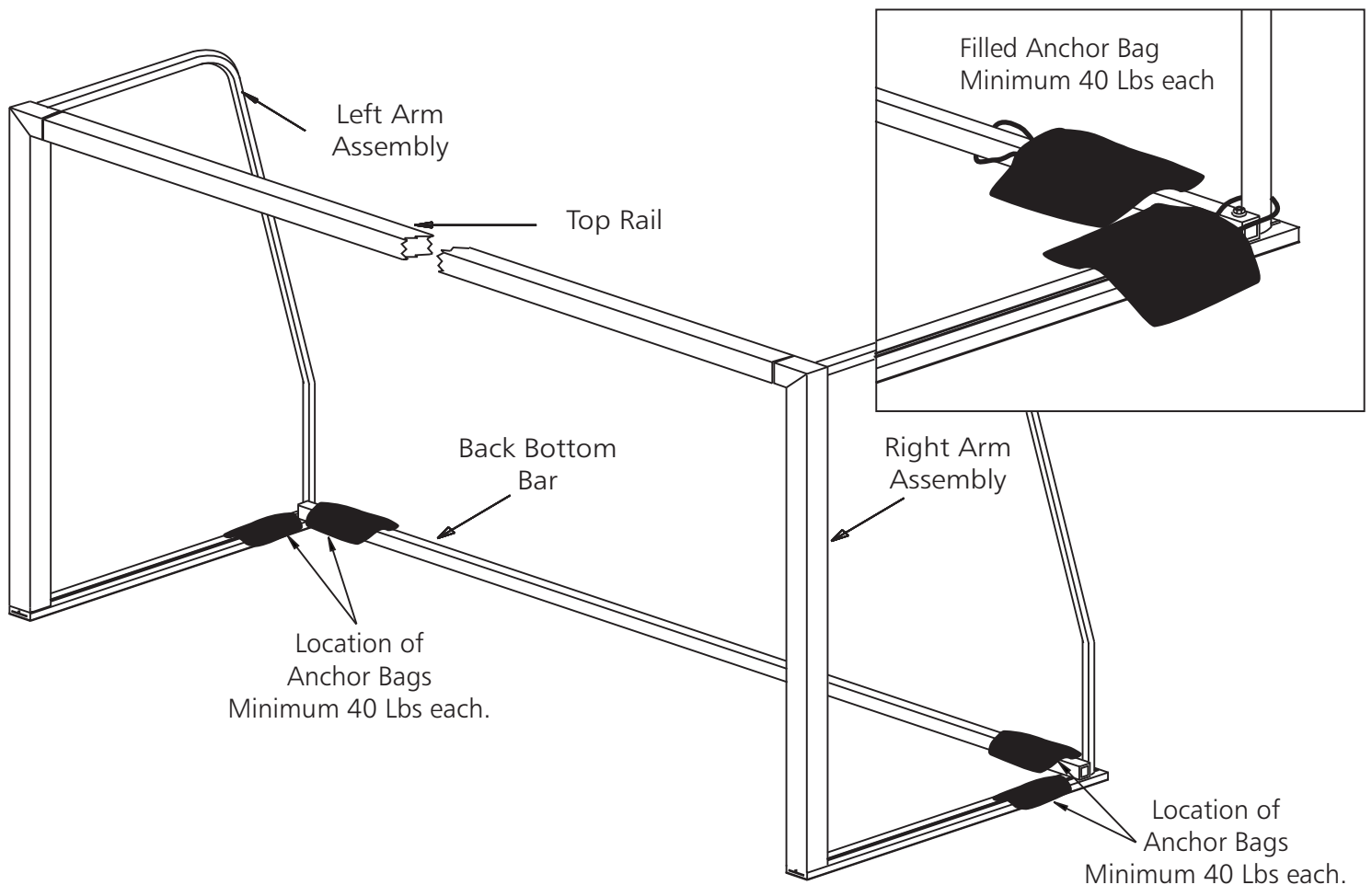
5. Attach back bottom bar to floor shoe using 3/8" flat head bolt in floor shoe and fasten using 3/8" lock washers, 3/8" flat washer, and 3/8" hex nuts.



*****CAUTION*****

This goal has been designed to be used for the game of soccer only. Goal posts must be anchored AT ALL TIMES and shall be secured against tilting. Do not climb on the net or goal framework at anytime! All fastenings must be checked to insure they are fully tightened before and after each use of this product. Goal posts not in use must be disassembled and properly stored in a safe, secure area. (See Guidelines for Moveable Soccer Goal Safety, included.) Assembled goal posts should not be left unattended. Remove nets when goals are not in use. Do not use this equipment during the threat of high winds. Goal posts should be checked for safety before and after each use. All warning and safety labels included with this product must be visible at all times. Any modifications to this or any Kwik Goal product will void any and all warranties.

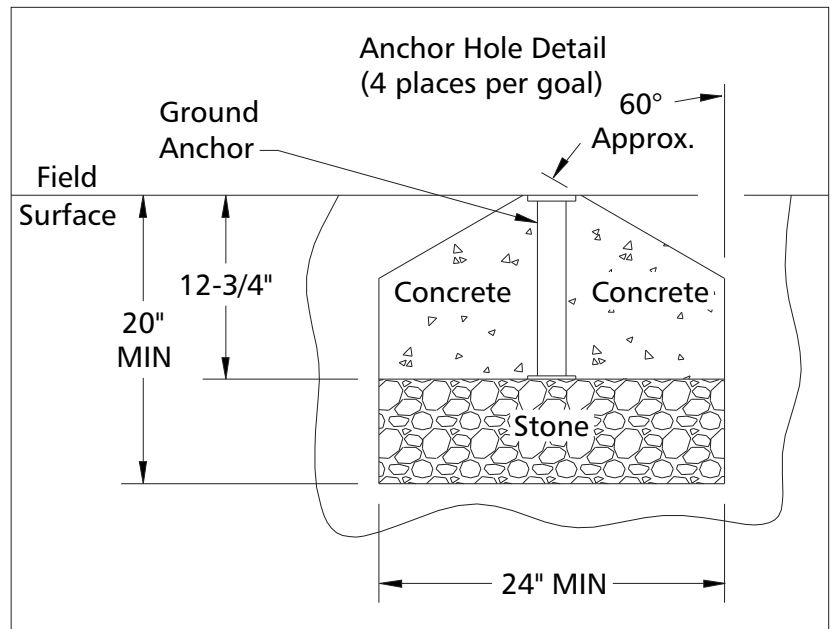
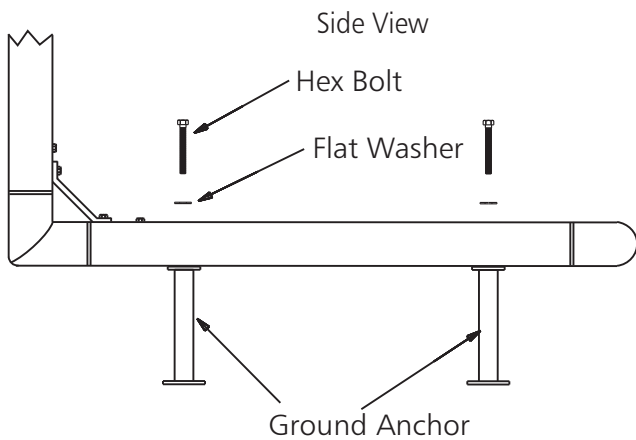
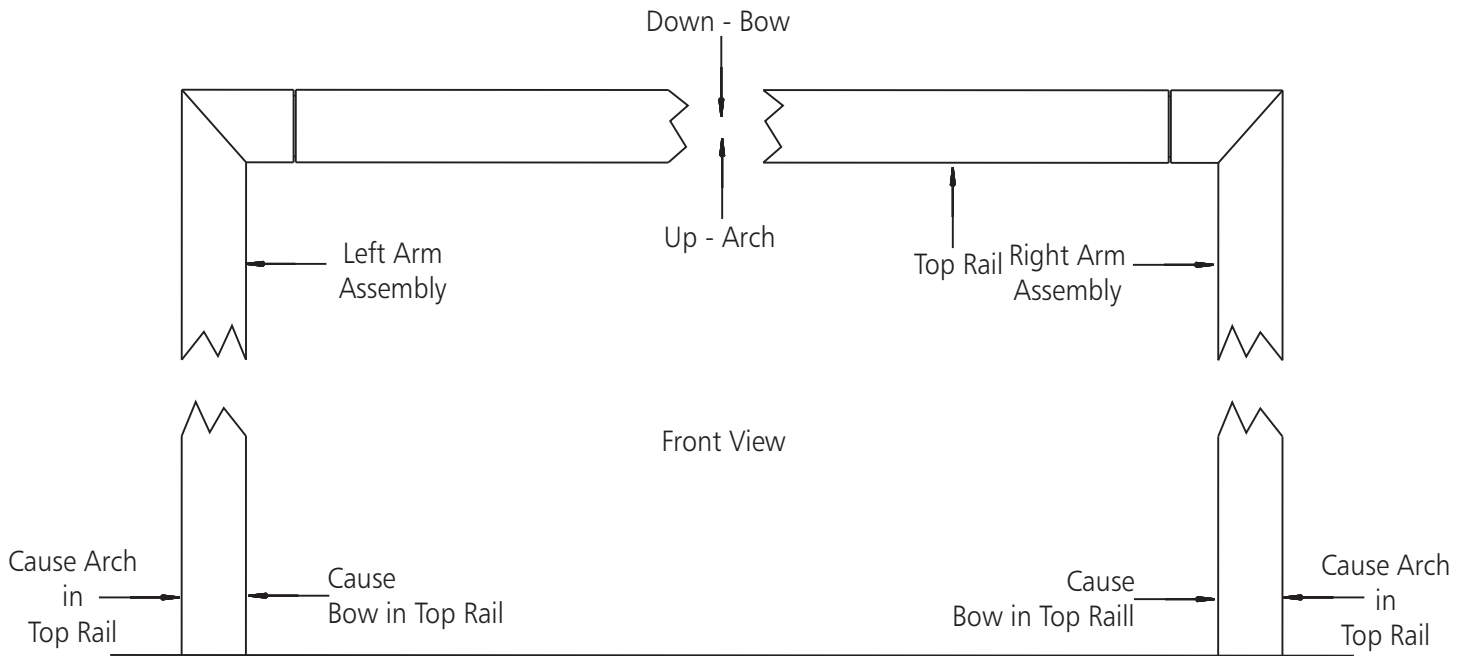
6. For indoor use, anchor goal to floor through holes located in floor shoes or place four anchor bags in accordance with picture below. Anchor bags must weigh a minimum of 40 lbs. each. Be sure to fasten anchor bags to goal using attached strap. Note: For outdoor applications, continue with steps 7 through 11. For indoor use, skip to step 10.



*****CAUTION*****

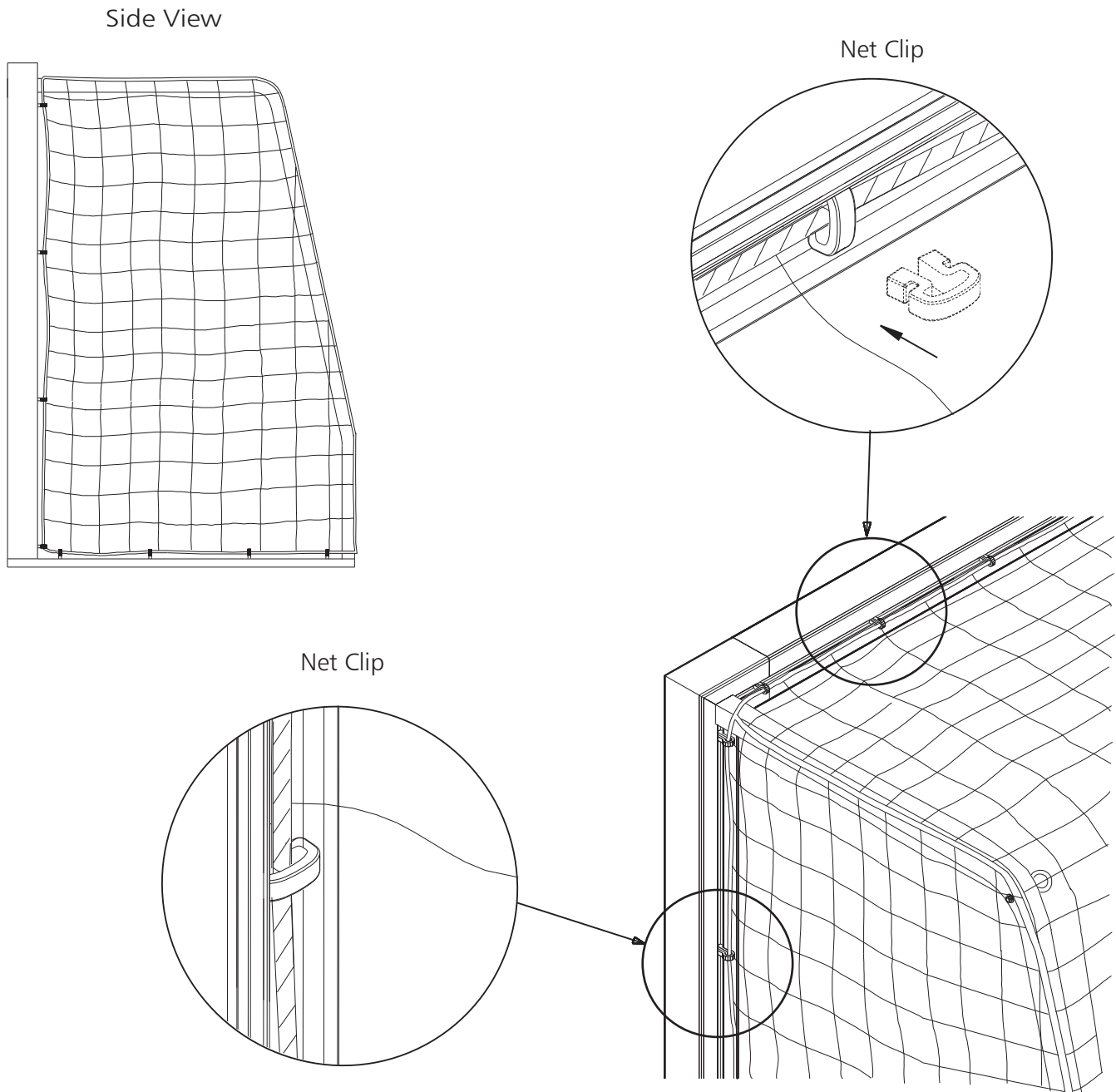
This goal has been designed to be used for the game of soccer only. Goal posts must be anchored AT ALL TIMES and shall be secured against tilting. Do not climb on the net or goal framework at anytime! All fastenings must be checked to insure they are fully tightened before and after each use of this product. Goal posts not in use must be disassembled and properly stored in a safe, secure area. (See Guidelines for Moveable Soccer Goal Safety, included.) Assembled goal posts should not be left unattended. Remove nets when goals are not in use. Do not use this equipment during the threat of high winds. Goal posts should be checked for safety before and after each use. All warning and safety labels included with this product must be visible at all times. Any modifications to this or any Kwik Goal product will void any and all warranties.

7. Set goal onto bases in desired location and mark anchor hole locations. Move goal and dig holes a minimum of 24" in diameter and 20" deep. (NOTE: Areas subject to heavy ground frost may go as deep as 36".)
8. Attach ground anchors to assembled goal. Set goal in desired installation location with anchors in holes, fill holes as shown, surrounding anchors with concrete. Make sure goal is plumb and level and let concrete cure.



9. To attach net to goal, place base of net clip into channel and turn 90 degrees to lock into place.
NOTE: BE SURE GOAL IS PROPERLY ANCHORED BEFORE ATTEMPTING TO ATTACH OR REMOVE NET.

CAUTION: DO NOT ATTEMPT TO CLIMB ON GOAL WHILE ATTACHING NET.

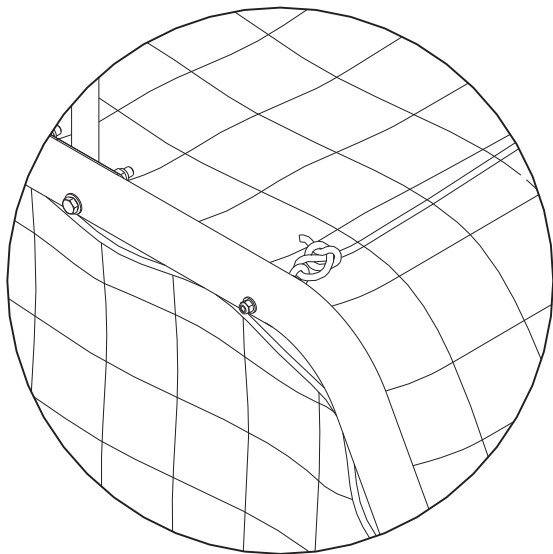


*****CAUTION*****

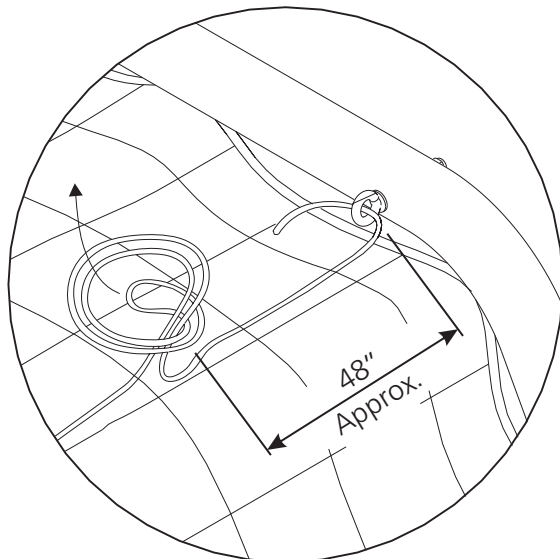
This goal has been designed to be used for the game of soccer only. Goal posts must be anchored AT ALL TIMES and shall be secured against tilting. Do not climb on the net or goal framework at anytime! All fastenings must be checked to insure they are fully tightened before and after each use of this product. Goal posts not in use must be disassembled and properly stored in a safe, secure area. (See Guidelines for Moveable Soccer Goal Safety, included.) Assembled goal posts should not be left unattended. Remove nets when goals are not in use. Do not use this equipment during the threat of high winds. Goal posts should be checked for safety before and after each use. All warning and safety labels included with this product must be visible at all times. Any modifications to this or any Kwik Goal product will void any and all warranties.

10. Tie backstay rope as shown below. Net must be installed correctly if goal is to look and perform as designed.

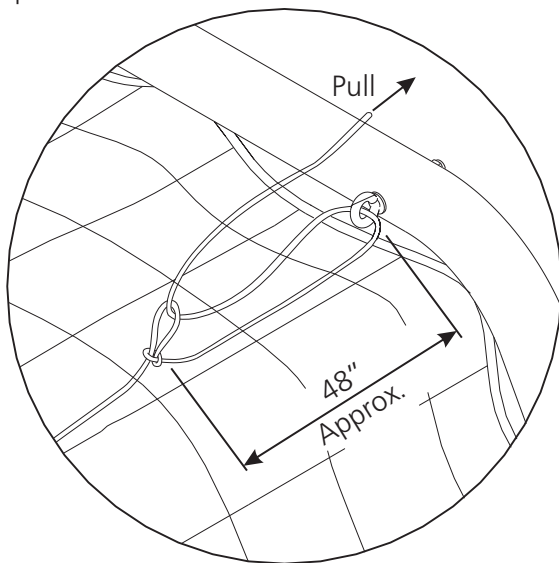
Step 1
Tie rope to one eyebolt.



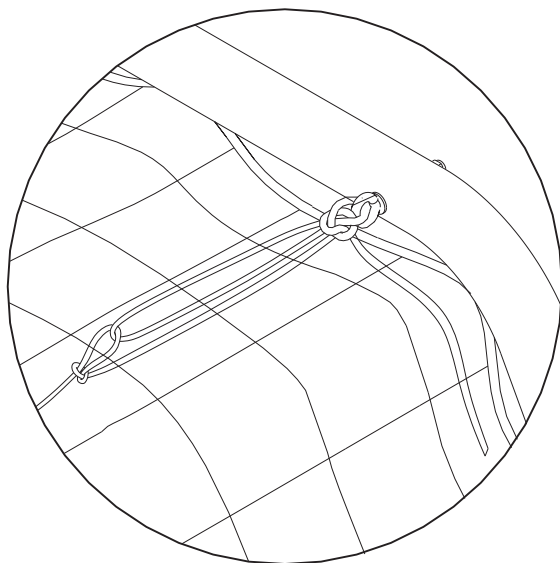
Step 2
Run rope under net and thread loose end of rope through eyebolt. Tie loop in rope approx. 48" from eyebolt.



Step 3
Thread loose end of rope through loop and pull net rope taut.



Step 4
Tie loose end to eyebolt and weave extra loose rope through net.



11. When removing goal from field location, be sure to disassemble and store in a safe place to prevent injury. (See Guidelines for Moveable Soccer Goal Safety, included). Insert red ground anchor caps into exposed ground anchor hole to prevent damage to threads.

*****CAUTION*****

This goal has been designed to be used for the game of soccer only. Goal posts must be anchored AT ALL TIMES and shall be secured against tilting. Do not climb on the net or goal framework at anytime! All fastenings must be checked to insure they are fully tightened before and after each use of this product. Goal posts not in use must be disassembled and properly stored in a safe, secure area. (See Guidelines for Moveable Soccer Goal Safety, included.) Assembled goal posts should not be left unattended. Remove nets when goals are not in use. Do not use this equipment during the threat of high winds. Goal posts should be checked for safety before and after each use. All warning and safety labels included with this product must be visible at all times. Any modifications to this or any Kwik Goal product will void any and all warranties.