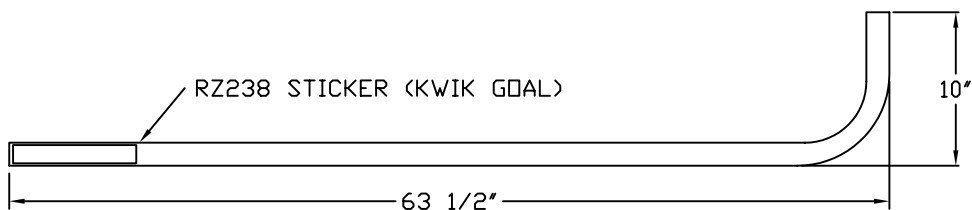
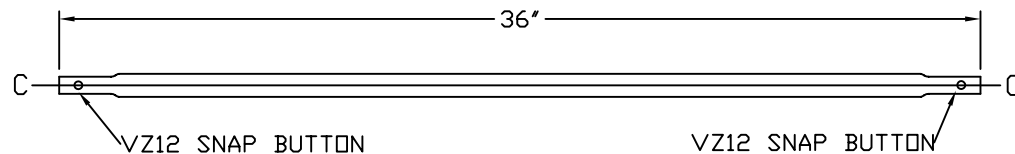


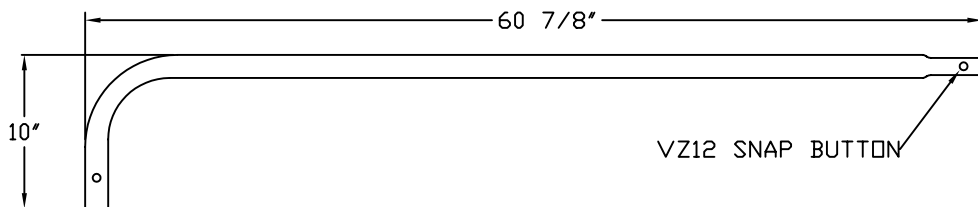
UZ493  
LEFT TOP & RIGHT BACK TUBE  
2 PER UNIT



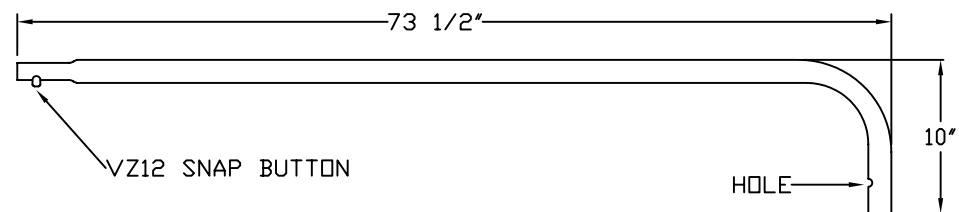
UZ527  
SIDE CONNECTOR TUBE  
2 PER UNIT



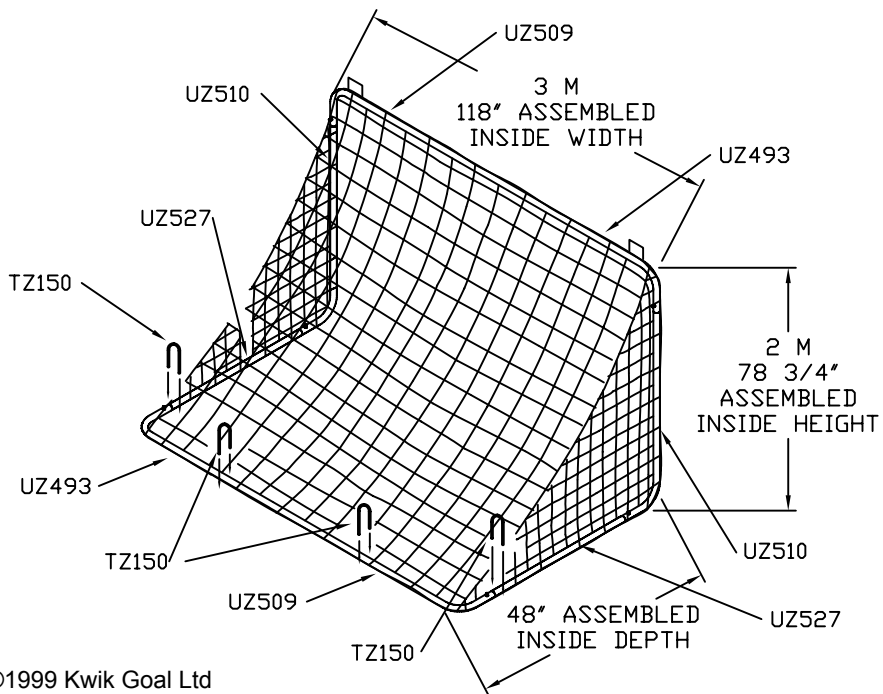
UZ509  
RIGHT TOP & LEFT BACK TUBE  
2 PER UNIT



UZ510  
FRONT POST  
2 PER UNIT



MATERIAL 1 1/2" OD. X 0.083 WALL ALUMINUM TUBE  
ALLOY 6063T-6 PAINTED WHITE



**PARTS LIST**

- 2 PCS. UZ493 1 1/2" X 0.083 W/1 BEND 63 1/2"
- 2 PCS. UZ509 1 1/2" X 0.083 W/1 BEND 62 3/4"
- 2 PCS. UZ527 1 1/2" X 0.083 X 36"
- 2 PCS. UZ510 1 1/2" X 0.083 W/1 BEND 73 1/2"
- 1 PC. 3B1 NET
- 4 PCS. TZ150 7/32 U-PEG

#	DATE	DESCRIPTION	BY
1	10/9/03	CHANGED WALL FROM .125 TO .083; REMOVED RZ240 STICKER	BMR

REVISIONS

**KWIKGOAL** 140 Pacific Dr.  
www.kwikgoal.com Quakertown, Pa.  
18951

Item Number:

2B2

Drawn By: C. S.

Description:

Date: 2/25/99

Prod. Wt:

2M X 3M GOAL

Printed:

lbs.

Checked:

Ship VIA: UPS