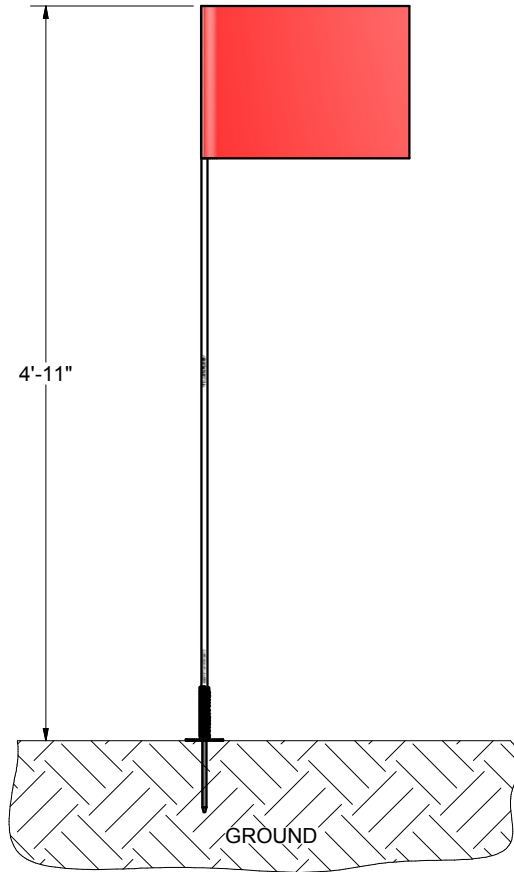


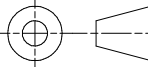

FRONT VIEW

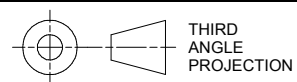
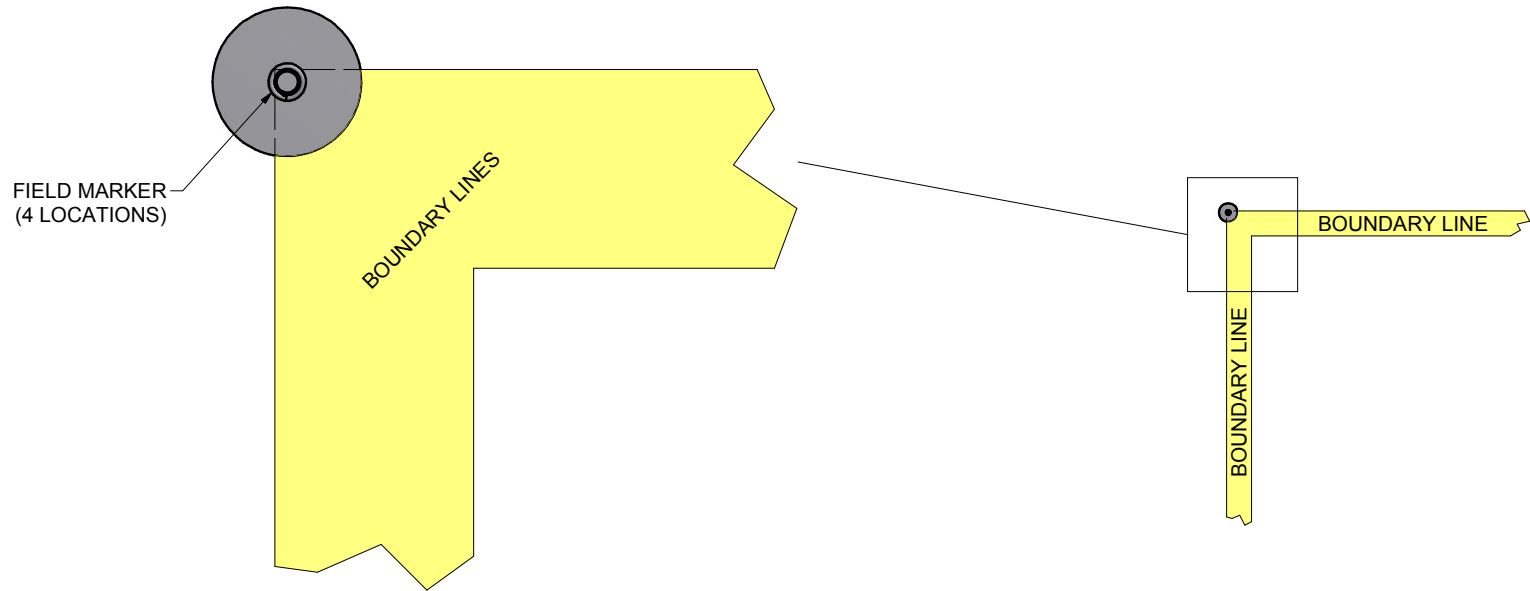


FEATURES:

- 1) FLEXIBLE LEXAN CONSTRUCTION
- 2) FINISH: WHITE
- 3) INCLUDED:
 - ROUND STEEL SPRING BASE WITH GROUND PEG
- 4) ASSEMBLED WEIGHT: 5 LBS. PER SET
 SINGLE FLAG POLE WEIGHT: 1.25 LBS.

Finish Info.

 THIRD ANGLE PROJECTION	 140 Pacific Drive Quakertown, Pa. 18951	
	DIMENSIONS ARE IN INCHES UNLESS OTHERWISE SPECIFIED	Approved By:
This item is the exclusive property of KWIK GOAL LTD. Reproduction or duplication without the express written consent of KWIK GOAL LTD. is strictly forbidden.	Date:	6B404
	Drawn By: KFrish	
	Date: 12/16/2010	Desc:
	Sheet: 1 of 4	OBSTACLE COURSE MARKERS 4/SET
Revision #: -	Cad File: 6B404.idw	



KWIKGOAL® 140 Pacific Drive
Quakertown,
Pa. 18951

DIMENSIONS ARE IN INCHES
UNLESS OTHERWISE SPECIFIED

Approved By:

Part #:

Date:

6B404

This item is the **exclusive**
property of **KWIK GOAL LTD.**
Reproduction or duplication
without the express written
consent of **KWIK GOAL LTD.**
is **strictly forbidden.**

Drawn By: KFrish

Date: 12/16/2010

Sheet: 2 of 4

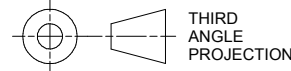
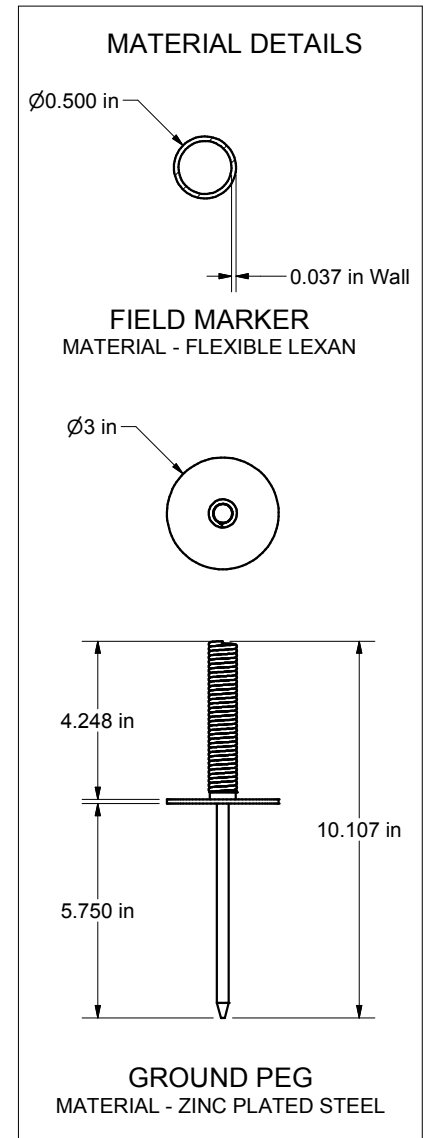
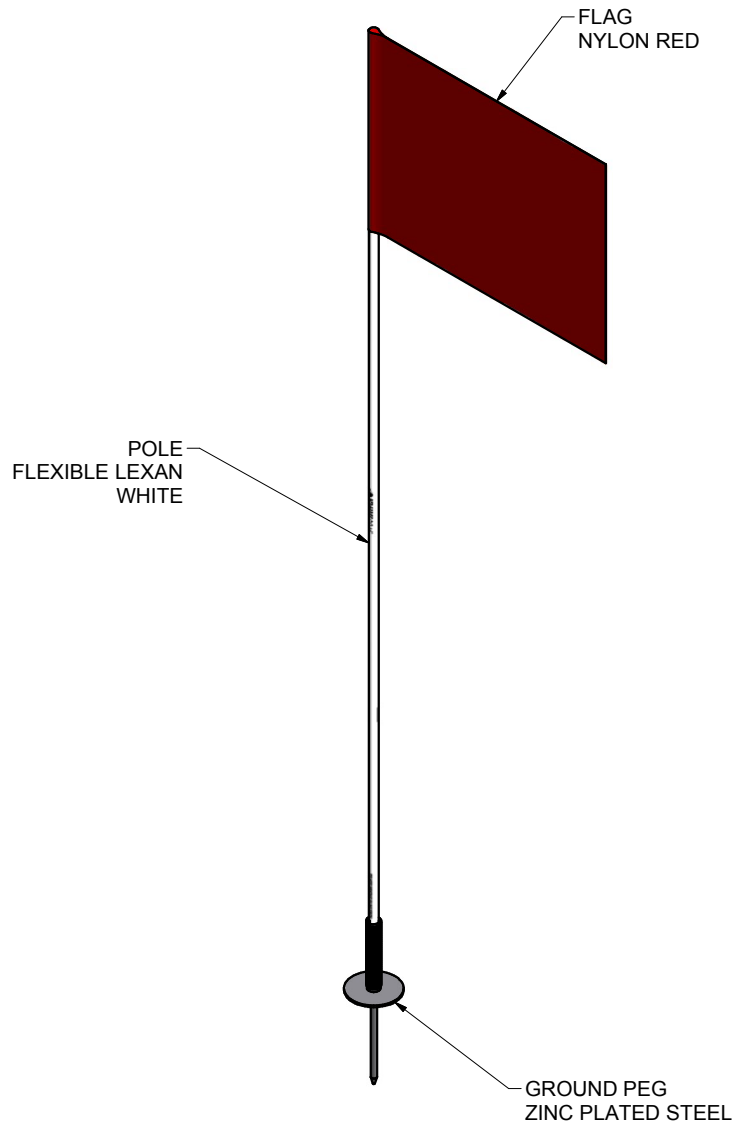
Revision #: -

Cad File: 6B404.idw

Desc:

OBSTACLE COURSE
MARKERS 4/SET

Finish Info.



THIRD
ANGLE
PROJECTION

KWIKGOAL® 140 Pacific Drive
Quakertown,
Pa. 18951

DIMENSIONS ARE IN INCHES
UNLESS OTHERWISE SPECIFIED

This item is the **exclusive**
property of **KWIK GOAL LTD.**
Reproduction or duplication
without the express written
consent of **KWIK GOAL LTD.**
is **strictly forbidden.**

Approved By:

Date:

Drawn By: KFrish

Date: 12/16/2010

Sheet: 3 of 4

Revision #: -

Cad File: 6B404.idw

Part #:

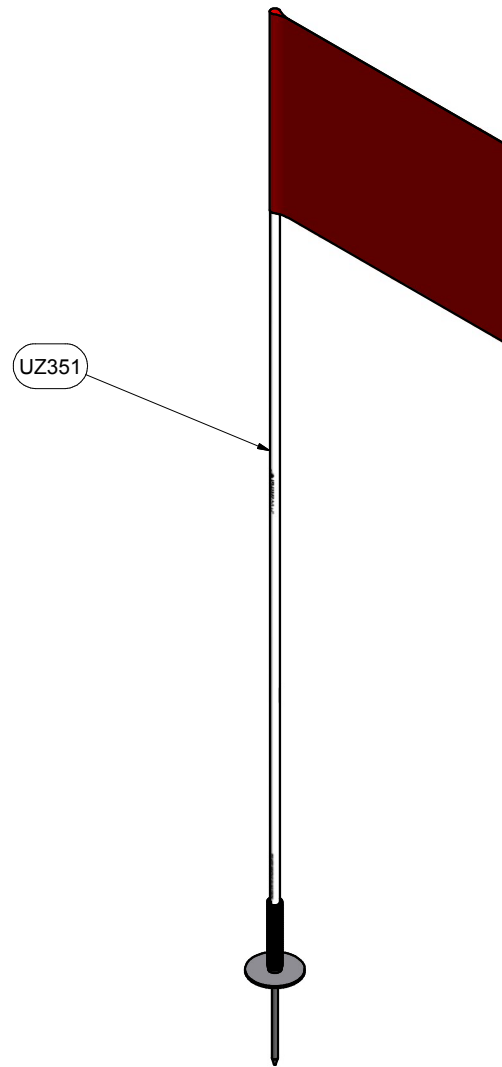
6B404

Desc:

OBSTACLE COURSE
MARKERS 4/SET

Finish Info.

Parts List		
Part #	Qty	Description
UZ351	4	OCM-1 FLAG (WITH POLE)



<p>THIRD ANGLE PROJECTION</p>			140 Pacific Drive Quakertown, Pa. 18951
	DIMENSIONS ARE IN INCHES UNLESS OTHERWISE SPECIFIED	<i>Approved By:</i> <i>Date:</i>	<i>Part #:</i> <h1>6B404</h1>
This item is the exclusive property of KWIK GOAL LTD. Reproduction or duplication without the express written consent of KWIK GOAL LTD. is strictly forbidden.	<i>Drawn By:</i> KFrisch	<i>Desc:</i> OBSTACLE COURSE MARKERS 4/SET	
	<i>Date:</i> 12/16/2010	<i>Sheet:</i> 4 of 4	
	<i>Revision #:</i> -	<i>Cad File:</i> 6B404.idw	

Finish Info.