



-- PFN-12 --
(12 FT FIELDPRO NETTING SYSTEMS)
Installation Instructions



Call Jaypro Sports Equipment at 1-800-243-0533
during regular business hours for technical support.

www.jaypro.com

JAYPRO SPORTS
12 FT FIELDPRO NETTING SYSTEMS

PARTS LIST FOR A SINGLE UPRIGHT ASSEMBLY		
ITEM #	QTY	DESCRIPTION
1	1	12 FT FIELD NET UPRIGHT
2	1	CORD LOOP ASSEMBLY
3	2	WHEEL BRACKET
4	1	FIELD PORTABLE BASE FRAME WELDMENT
5	1	BLACK PLASTIC CAP
6	4	3/8"-16 x 1" CARRIAGE BOLT
7	4	3/8"-16 x 1 1/2" CARRIAGE BOLT
8	2	5/8"-11 x 4" HEX HD BOLT
9	2	3/8"-16 x 3" LONG THREADED EYEBOLT
10	2 *	D-RING
11	3	5/16" x 3 1/8" SNAP HOOK
12	4 *	1/4" WIRE ROPE CLIPS
13	2 *	1/4" WIRE ROPE THIMBLES
14	4	3/8"-16 FINISH HEX NUT
15	6	3/8"-16 HEX HD LOCKNUT
16	2	5/8"-11 THIN NYLON LOCK NUT
17	4	5/8" WASHER
18	12	3/8" FLAT WASHER
19	4	3/8" MEDIUM SPLIT LOCK WASHER
20	2	WHEEL 10" x 4" NO FLAT TIRE
21	1	COVER JUGS
22	4	5 GALLON JUG
23	50	8" BLACK CABLE TIE
24	8 *	1/4" WIRE ROPE CLIPS
25	4 *	1/4" WIRE ROPE THIMBLES

PARTS LIST FOR NETTING		
-	-	NET (MAY BE SUPPLIED IN MULTIPLE SECTIONS)
-	1	3/16" COATED AIRCRAFT CABLE (LENGTH DEPENDENT ON OVERALL SYSTEM LENGTH)

IMPORTANT NOTICE:

- 1) BEFORE EACH USE CHECK EQUIPMENT FOR PROPER CONNECTING HARDWARE AND STRUCTURAL INTEGRITY. REPLACE DAMAGED OR MISSING HARDWARE IMMEDIATELY.
- 2) USE OF THIS EQUIPMENT OTHER THAN INTENDED, MAY BE HAZARDOUS.
- 3) ALTERATION OR MODIFICATION OF THIS EQUIPMENT MAY BE HAZARDOUS AND RESULT IN INJURY. FOR REPAIR OR REPLACEMENT, CONTACT YOUR DEALER OR JAYPRO SPORTS.
- 4) * HARDWARE FOR IS FOR BOTH END UPRIGHTS AND INTERMEDIATE UPRIGHTS (*NOT ALL HARDWARE WILL BE USED*).

TOOLS REQUIRED:

- (1) 3/8" Socket Wrench and Box Wrench
- (1) 9/16" Socket Wrench and Box Wrench
- (1) 15/16" Socket Wrench and Box Wrench

- (1) 7/16" Nut Driver
- (1) Cable Cutters

SPECIAL NOTES:

- Max spacing between uprights should not exceed 20 ft.
- The net may be broken up into sections to reduce weight and make handling more manageable. Net sections typically do not exceed 150 ft.
- Net sections should be joined together at a upright, not between uprights.
- Nets should be removed and stored after the season is over.
- Nets should be removed prior to a major storm or high winds.

Layout:

Clear working area from obstructions. Determine the proper location for the uprights on the field. The spacing between uprights is determined by the net overall length divided by the number of spaces between uprights (number of uprights minus 1). Note that the maximum spacing is 20 feet center to center, do not exceed this dimension. Spacing of uprights is consistent, unless an obstruction is unmovable.

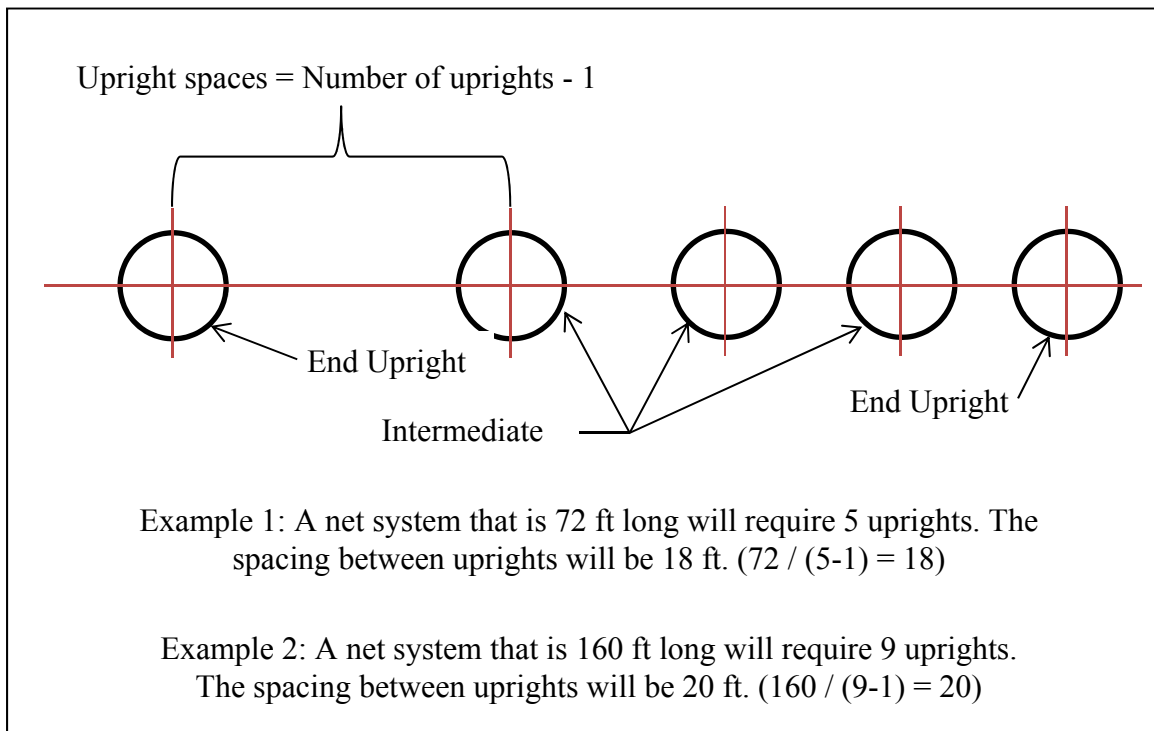


Figure 1

Base Wheels:

Install the bracket for the wheels onto the outside of the base frame. Use 3/8" x 1" long carriage bolt to attach wheel bracket. Use 5/8" hardware for installing the wheels to the plates as shown in Figure 2

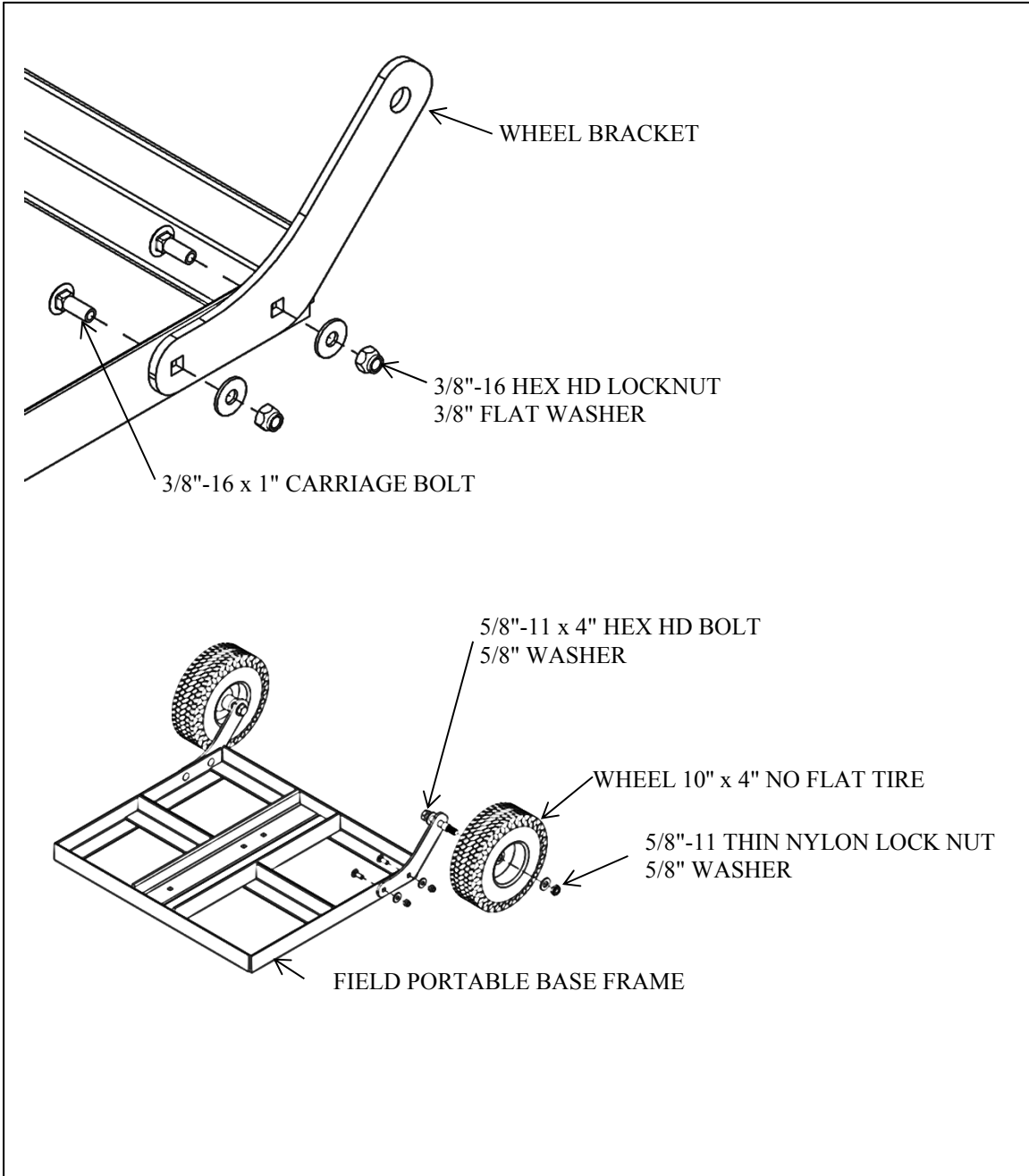


Figure 2

Install Upright Hardware:

Assemble 3/8" eyebolt hardware & cord loop assembly hardware and upright cap onto the uprights as shown in Figure 3 & Figure 4.

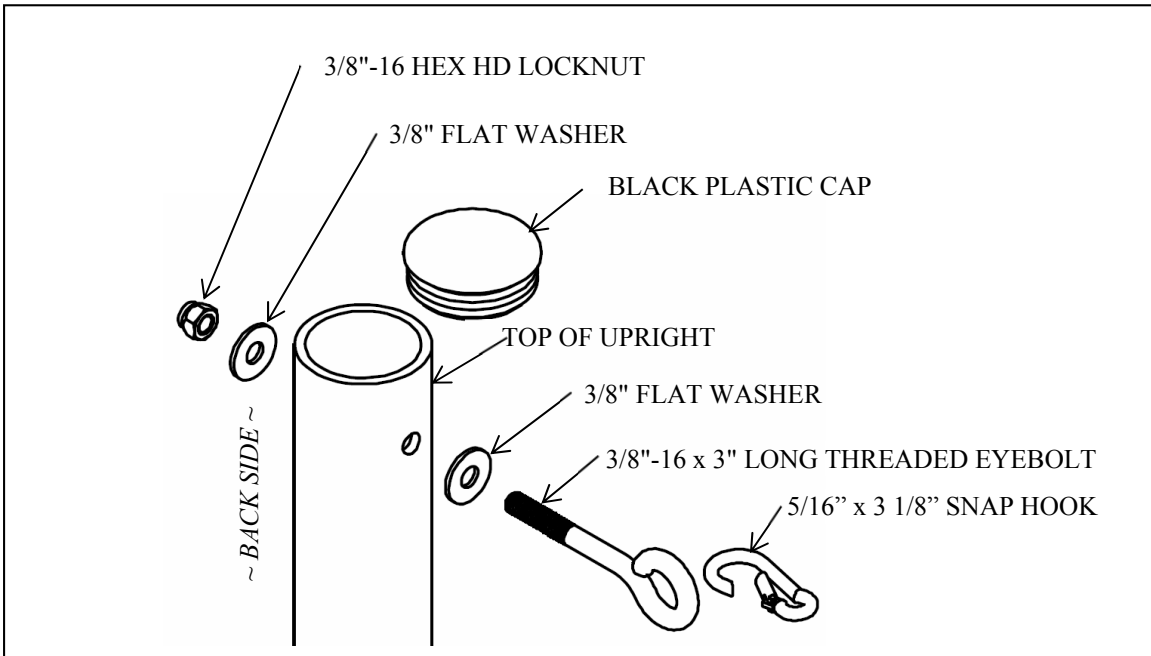


Figure 3

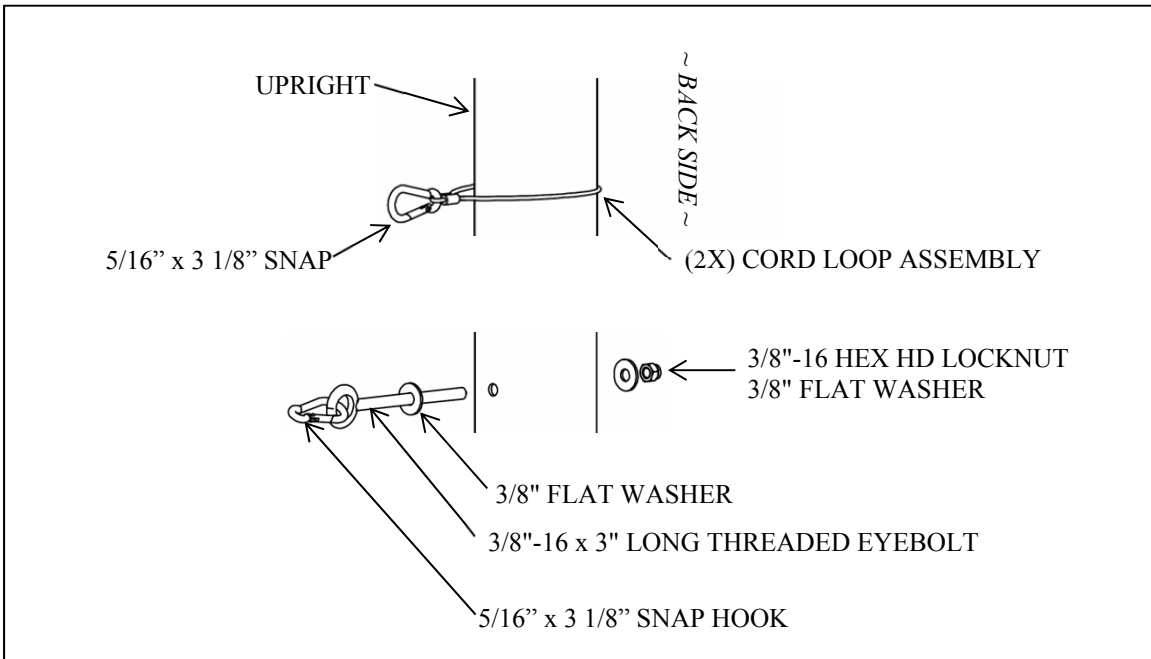


Figure 4

Install Uprights:

Before inserting the Uprights onto the base frame, check to make sure:

1. Note orientation (see Figure 5).
2. Assemble Uprights onto the base frame as shown (Figure 6).
3. Fill jugs with water.

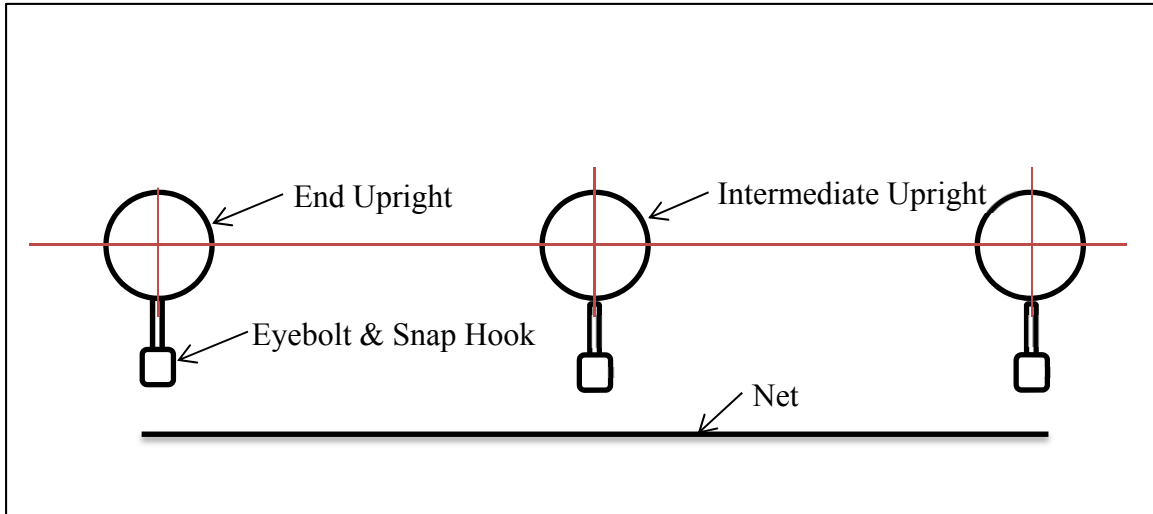


Figure 5

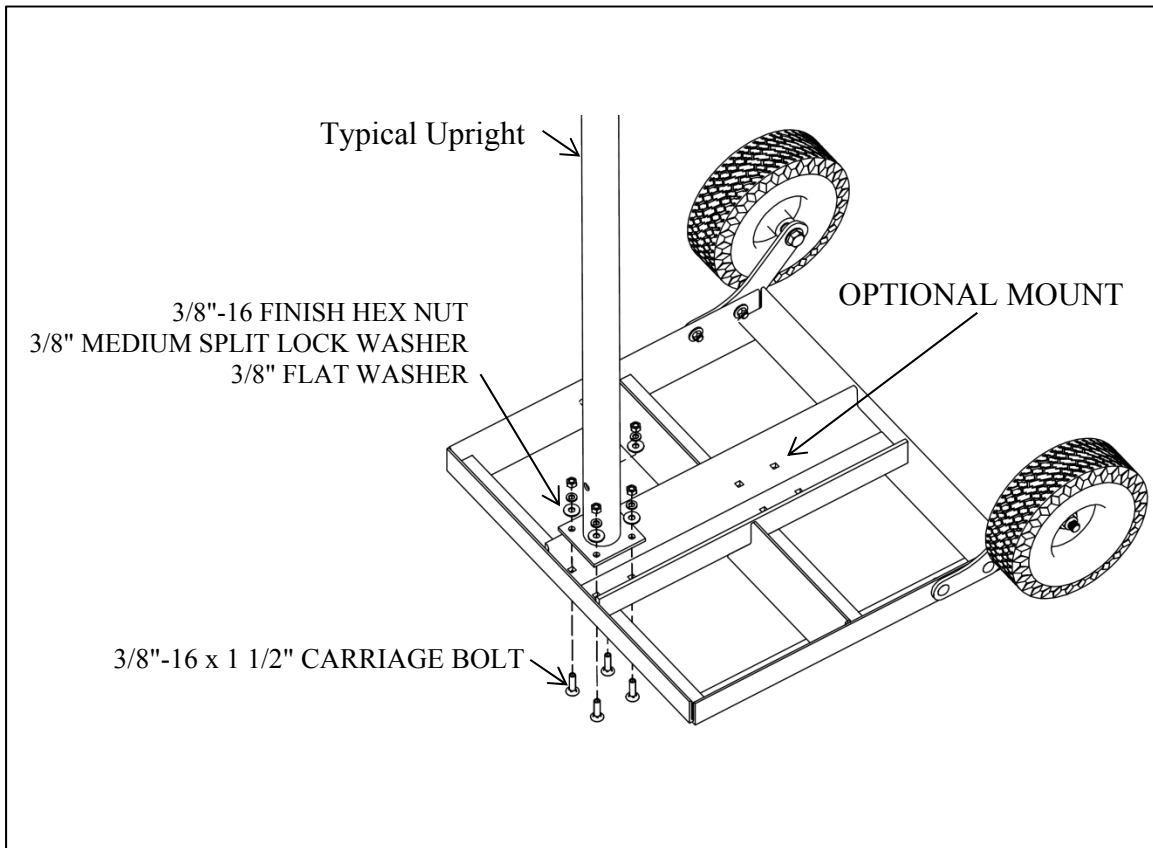


Figure 6

Net:

Lay the net out lengthwise and cut the 3/16" coated aircraft cable to length, extending each end enough to make up the loop. Make up a loop, as shown in, on both ends of the cable. Attach a cable to both the top and bottom edges of the net using the cable ties (Figure 7).

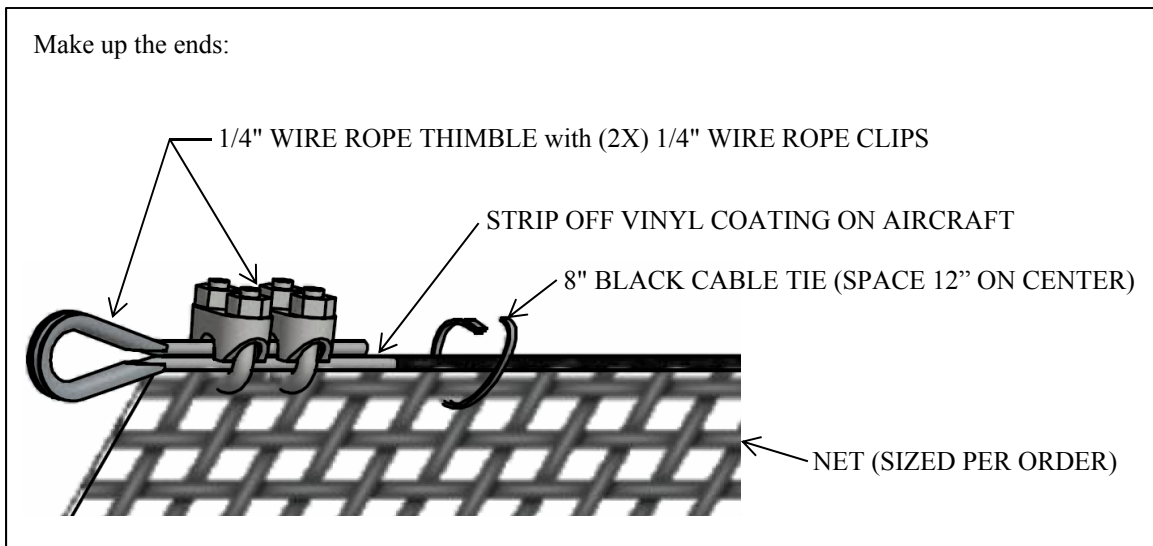


Figure 7

Install Net:

Lay the net sections out lengthwise along the base of the uprights. Attach D-Rings to the net at each intermediate upright location. Attach the snap hooks to each cable end and D-Ring. Slowly raise the net up, attaching the sliding cable loops to the net approximately center of the upright. While raising the net, attach any net sections together using cable ties located about 12" o.c.

Once the net is fully raised, secure the bottom edge of net to each upright as shown in.

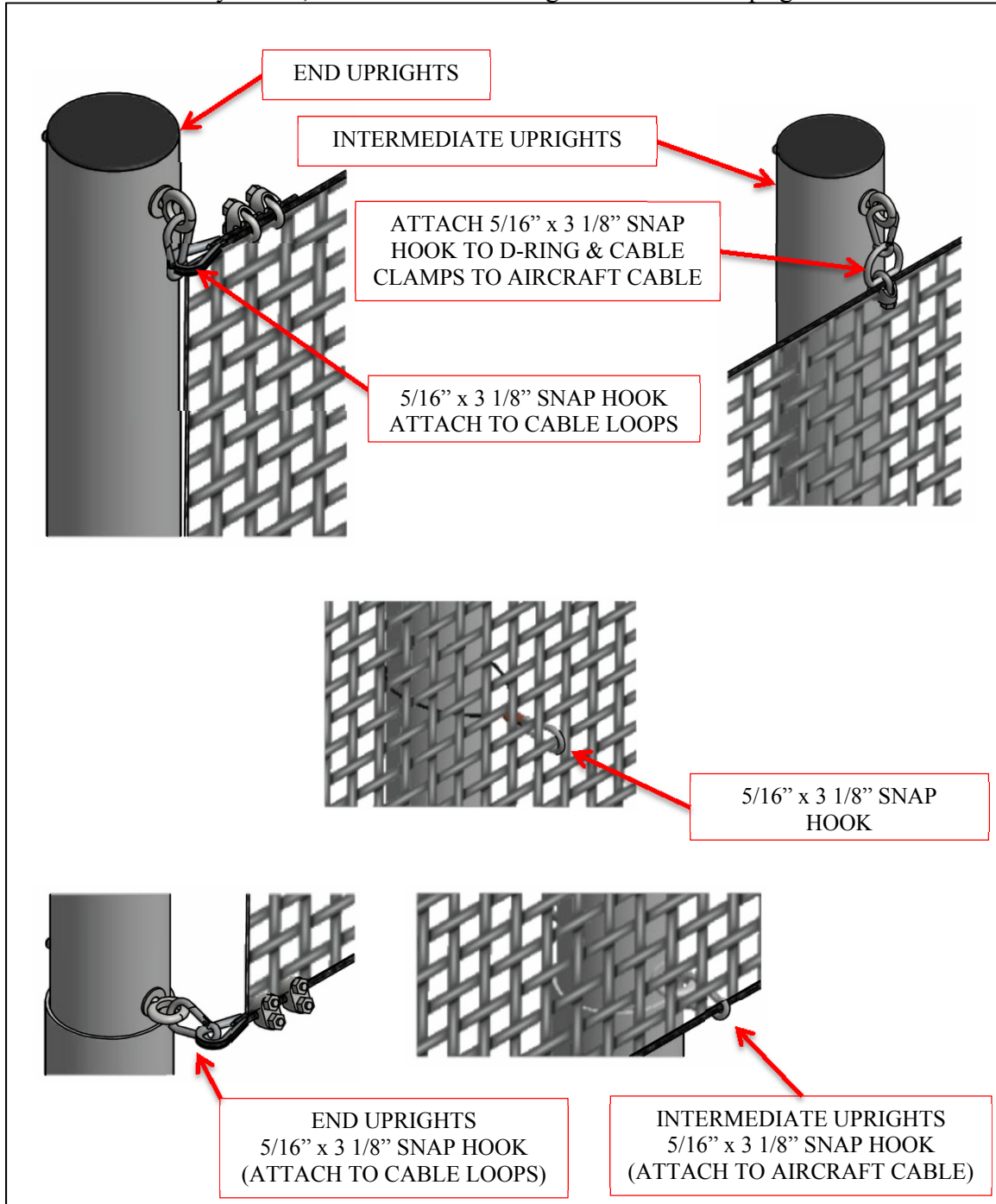


Figure 8

MAINTENANCE:

- Before and after each season, thoroughly inspect the net for wear. Repair any holes to prevent them from getting wider.
- Remove and store the net after the seasons use.
- Remove all netting before a major storm or extreme winds.
- Optional cover for jug to protect debris from building up onto the base frame.
- Empty / fill jug with water only.