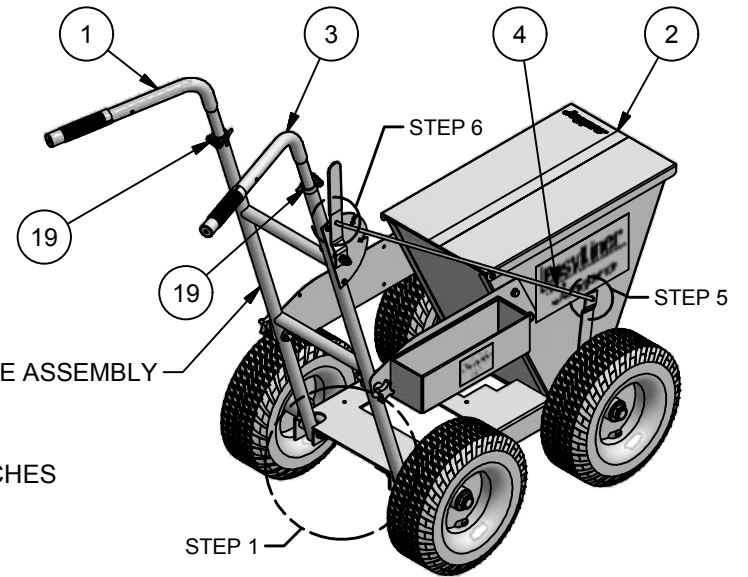
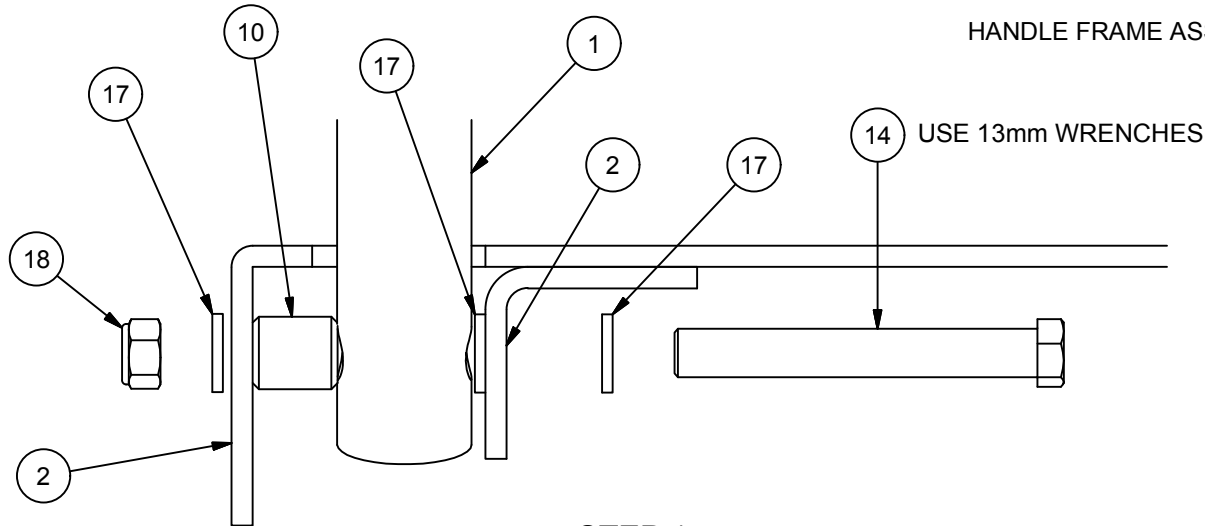


TOOLS REQUIRED:
 (2) 10mm WRENCHES (For M6 Hardware)
 (2) 13mm WRENCHES (For M8 Hardware)



HANDLE FRAME ASSEMBLY



STEP 1

(ATTACH LOWER HANDLE FRAME, TYP 2 PLACES)

ITEM	QTY	PART #	REV	DESCRIPTION
1	1	FM-50R-BK	A	50 LBS HANDLE FRAME ASSEMBLY
2	1	FM-50R-FA	A	50 LBS HOPPER ASSEMBLY
10	2	FM-166A	N/A	8 mm x 14 mm LONG BUSHING, BRONZE
14	2	FM-BC6	N/A	M8 x 60 mm LONG HEX HD, SS
17	8	FM-OW6	N/A	M8 FLAT WASHER, SS
18	2	FM-ON6	N/A	M8 NYLON LOCK NUT, SS

COMPLETE PARTS LIST

ITEM	QTY	PART #	REV	DESCRIPTION
1	1	FM-50R-BK	A	50 LBS HANDLE FRAME ASSEMBLY
2	1	FM-50R-FA	A	50 LBS HOPPER ASSEMBLY
3	2	FM50R-E3	A	RIGHT HANDLE BAR
4	1	FM-050	A	50 LBS GATE CONTROL ROD
5	2	FM-054	-	HANDLE GRIP
6	4	FM-0BB	N/A	M6 x 12 mm LONG HEX HD, SS
7	4	FM-0NB	N/A	M6 NYLON LOCK NUT, SS
8	9	FM-0WB	N/A	M6 FLAT WASHER, SS
9	1	FM-151A	N/A	2 mm OD x12 mm LONG COTTER PIN
10	2	FM-166A	N/A	8 mm x 14 mm LONG BUSHING, BRONZE
11	1	FM-210	A	HOPPER SIDE SUPPORT ARM-B
12	1	FM-212	A	2 mm HAIRPIN COTTER PIN
13	1	FM-215	-	50/100 LBS STORAGE BOX SIDE PANEL
14	2	FM-BC6	N/A	M8 x 60 mm LONG HEX HD, SS
15	2	FM-SCA	N/A	M8 x 40 mm FOUR ARM KNOB, SS
16	2	FM-SCB	N/A	M8 FLANGE WING NUT, SS
17	8	FM-OW6	N/A	M8 FLAT WASHER, SS
18	2	FM-ON6	N/A	M8 NYLON LOCK NUT, SS
19	2	BKCLMP	-	QUICK RELEASE CLAMP

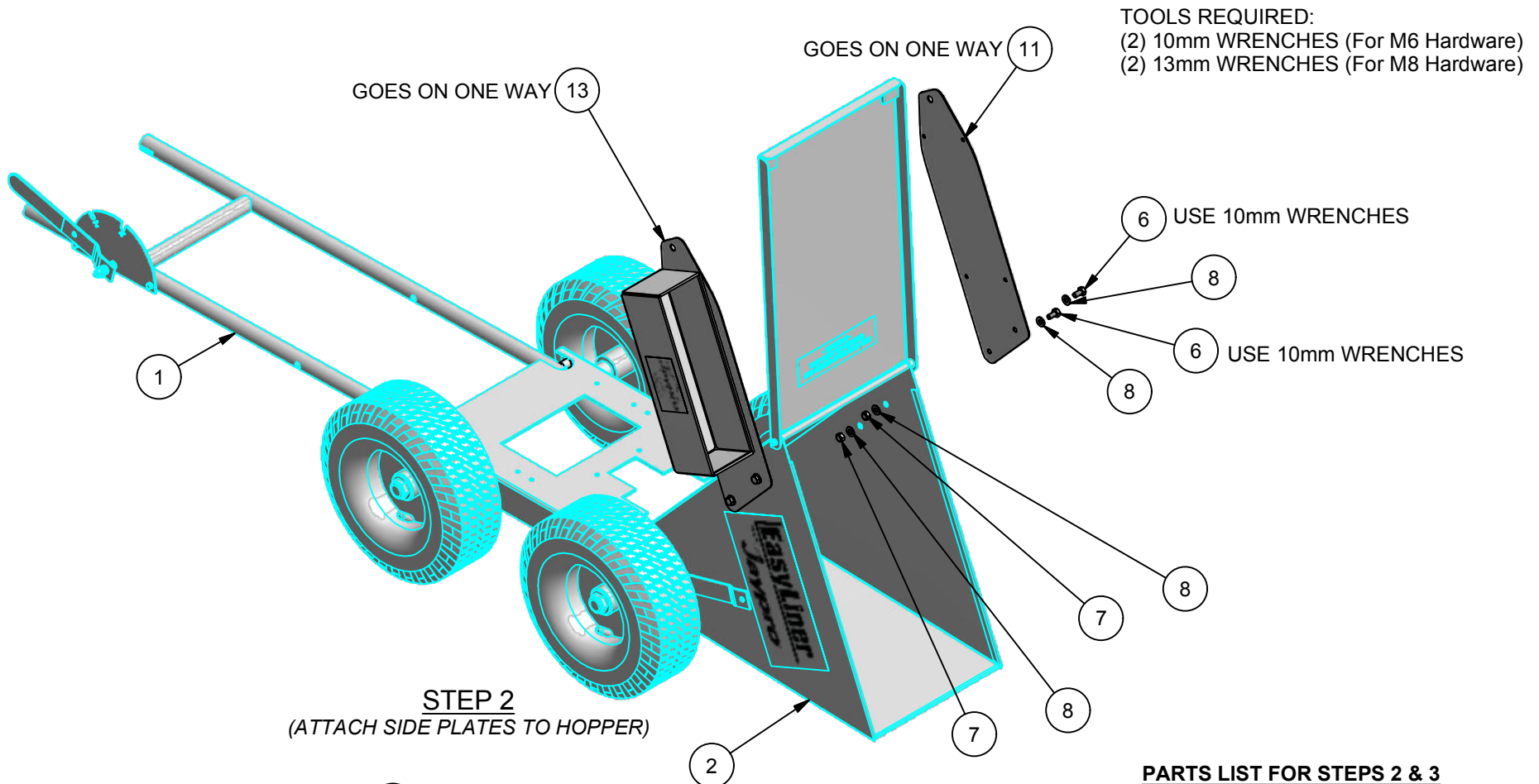


976 Hartford Turnpike
 Waterford, CT 06385 USA
 (800)243-0533 Fax: (800)988-3363
 www.jaypro.com

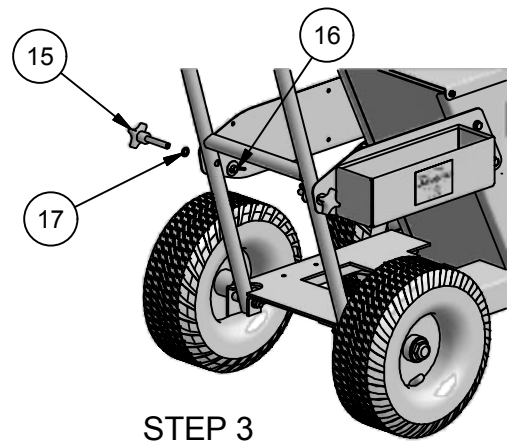
MODEL NUMBER: FLMR-50
 CHECKED BY: WVB

PRODUCT NAME:
 50 LBS DRY LINE MARKER

DATE: 5/21/2012
 REV: A
 DRAWN BY: Mouné T.
 SHEET: 1 OF 3



STEP 2
(ATTACH SIDE PLATES TO HOPPER)



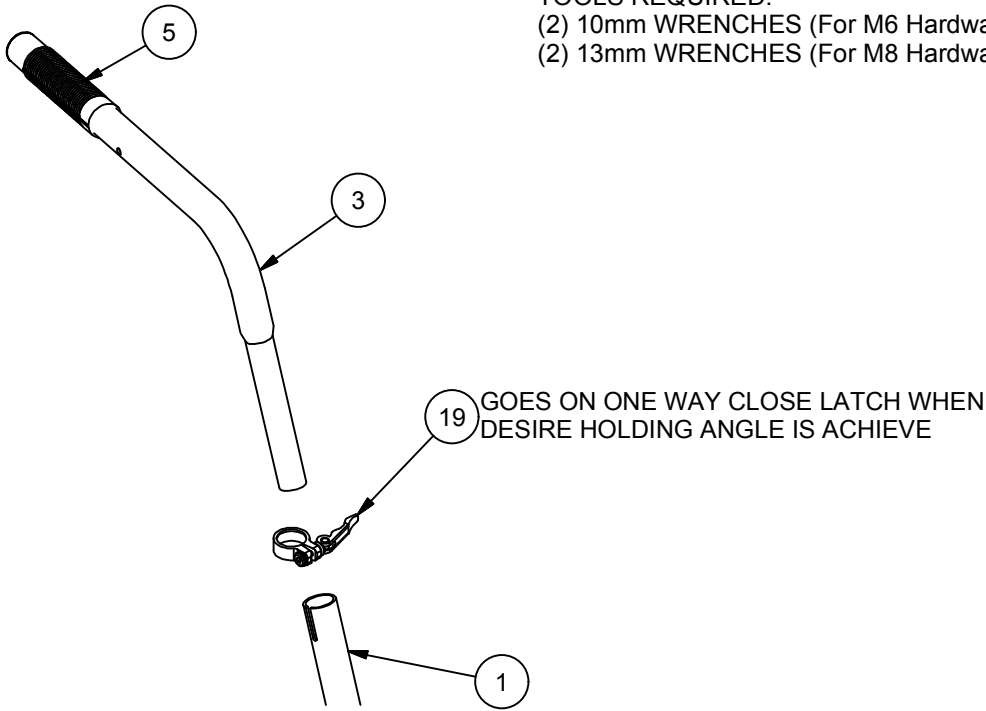
STEP 3
(ATTACH HANDLE FRAME TO SIDE PLATES)

PARTS LIST FOR STEPS 2 & 3

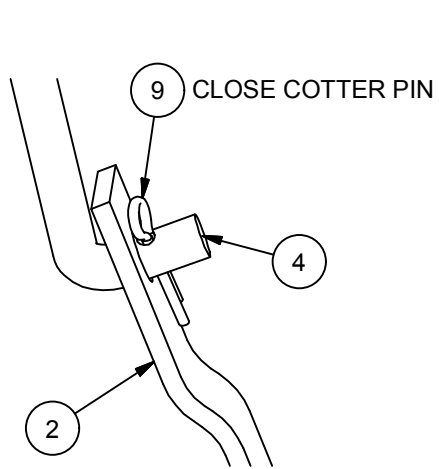
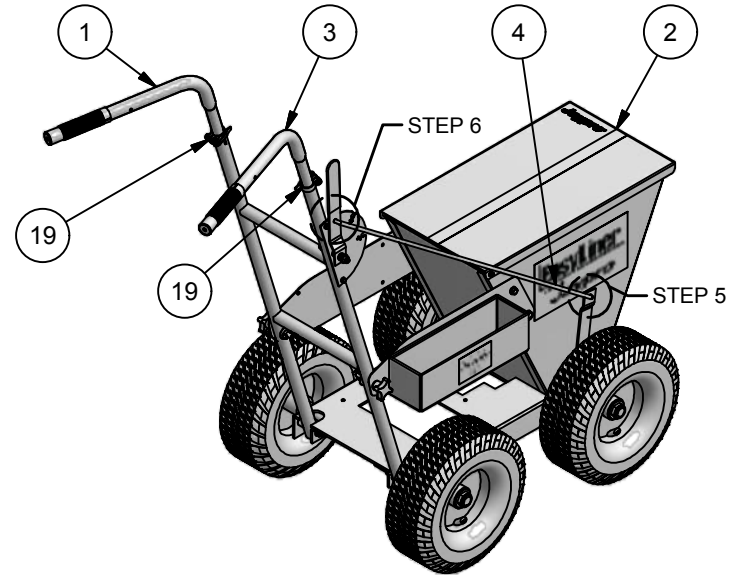
ITEM	QTY	PART #	REV	DESCRIPTION
1	1	FM-50R-BK	A	50 LBS HANDLE FRAME ASSEMBLY
2	1	FM-50R-FA	A	50 LBS HOPPER ASSEMBLY
6	4	FM-0BB	N/A	M6 x 12 mm LONG HEX HD. SS
7	4	FM-0NB	N/A	M6 NYLON LOCK NUT, SS
8	9	FM-0WB	N/A	M6 FLAT WASHER. SS
11	1	FM-210	A	HOPPER SIDE SUPPORT ARM-B
13	1	FM-215	-	50/100 LBS STORAGE BOX SIDE PANEL
15	2	FM-SCA	N/A	M8 x 40 mm FOUR ARM KNOB, SS
16	2	FM-SCB	N/A	M8 FLANGE WING NUT, SS
17	8	FM-0W6	N/A	M8 FLAT WASHER. SS

<p>976 Hartford Turnpike Waterford, CT 06385 USA (800)243-0533 Fax: (800)988-3363 www.jaypro.com</p>	MODEL NUMBER: FLMR-50		CHECKED BY: WVB	
	PRODUCT NAME: 50 LBS DRY LINE MARKER			
	DATE: 5/21/2012	REV: A	DRAWN BY: Moune T.	SHEET: 2 OF 3

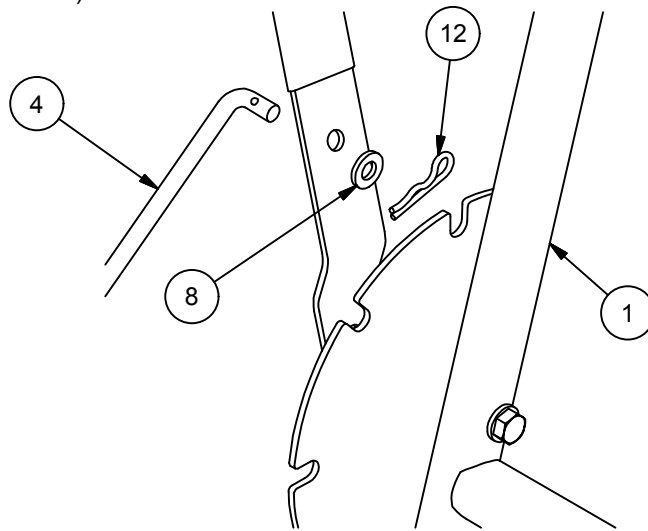
TOOLS REQUIRED:
 (2) 10mm WRENCHES (For M6 Hardware)
 (2) 13mm WRENCHES (For M8 Hardware)



STEP 4
 (ATTACH HANDLE ARMS)



STEP 5
 (BOTTOM END OF ROD)



STEP 6
 (UPPER END OF ROD)

PARTS LIST FOR STEPS 4 THRU 6

ITEM	QTY	PART #	REV	DESCRIPTION
1	1	FM-50R-BK	A	50 LBS HANDLE FRAME ASSEMBLY
2	1	FM-50R-FA	A	50 LBS HOPPER ASSEMBLY
3	2	FM50R-E3	A	RIGHT HANDLE BAR
4	1	FM-050	A	50 LBS GATE CONTROL ROD
5	2	FM-054	-	HANDLE GRIP
9	1	FM-151A	N/A	2 mm OD x12 mm LONG COTTER PIN
12	1	FM-212	A	2 mm HAIRPIN COTTER PIN
19	2	BKCLMP	-	QUICK RELEASE CLAMP



976 Hartford Turnpike
 Waterford, CT 06385 USA
 (800)243-0533 Fax: (800)988-3363
 www.jaypro.com

MODEL NUMBER: FLMR-50
 CHECKED BY: WVB

PRODUCT NAME:
 50 LBS DRY LINE MARKER

DATE: 5/21/2012
 REV: A
 DRAWN BY: Mouné T.
 SHEET: 3 OF 3