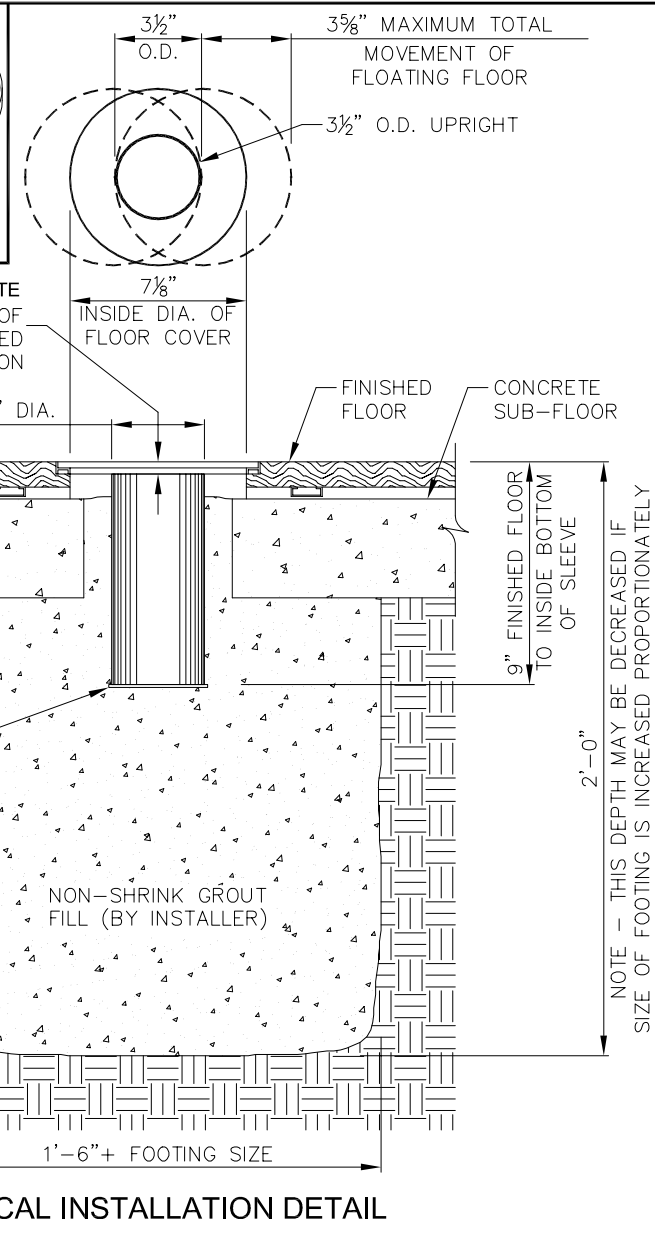
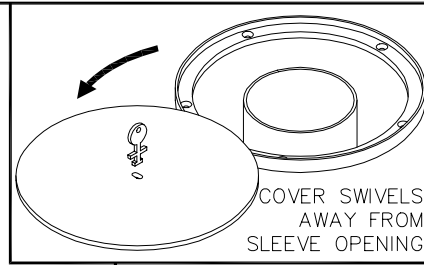
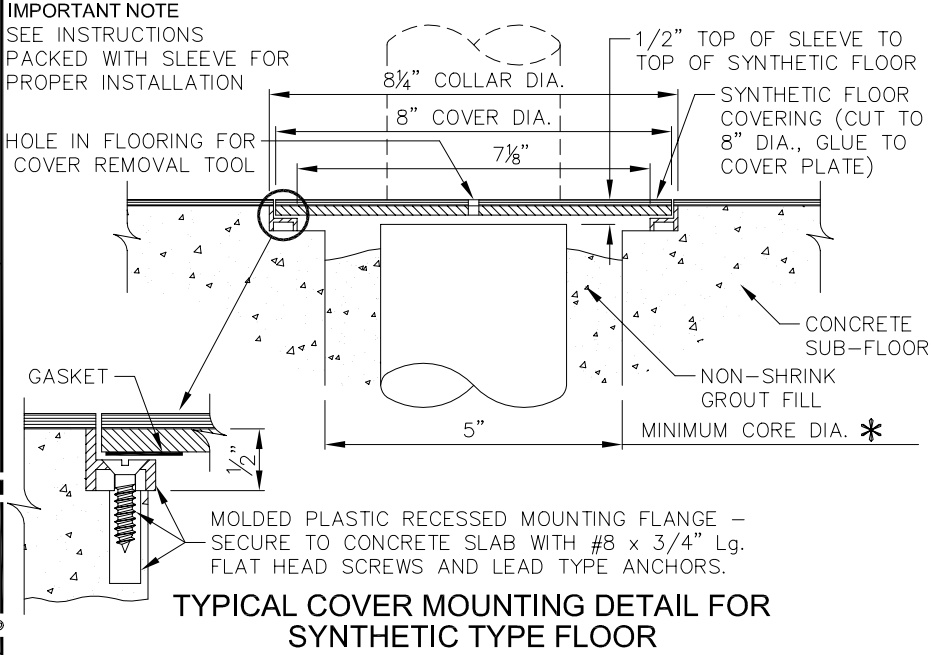
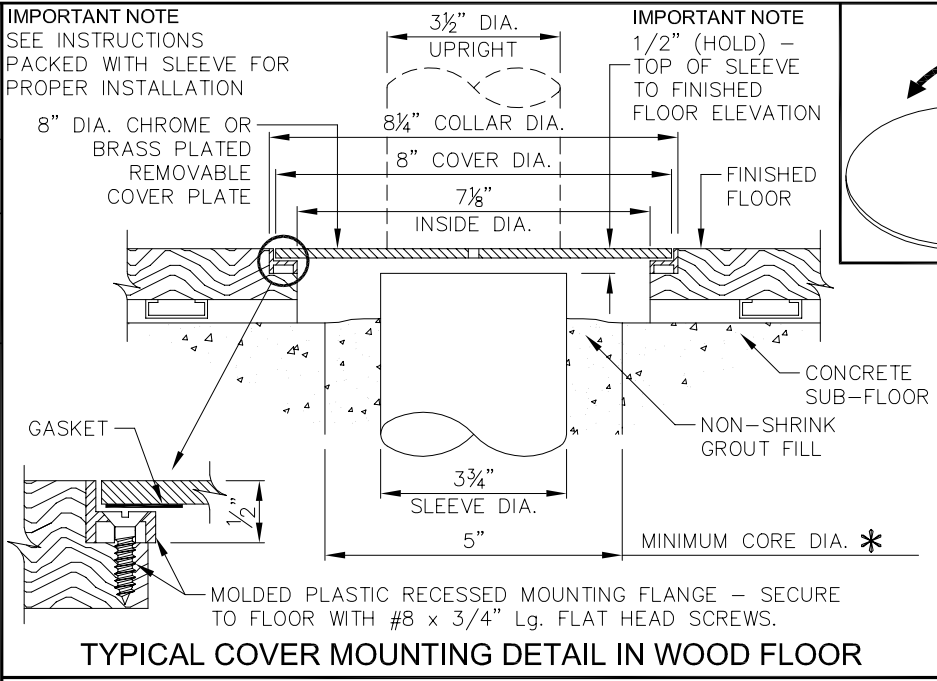


REVISION	DATE	PORTER# No.
Forming Notes	10-1-00	
CUSTOMER No.		

00872-100 and 00872-200
FLOOR SLEEVES FOR 3 1/2" DIA. POST
WITH 8" DIA. COVER

Porter
WORLD LEADER
IN QUALITY SPORTS EQUIPMENT
2500 S. 25th AVENUE
BROADVIEW, ILLINOIS 60155
www.porter-ath.com

DRAWING BY RJM
CHECKED BY ES
PAGE No. G-872



INSTALLATION OPTIONS

- *1. LOCATE AND CORE 5" MINIMUM DIA. HOLES IN SLAB AND GROUT SLEEVES IN PLACE PER DETAIL ABOVE. **CAUTION** - BEFORE CORING HOLES IN EXISTING CONCRETE SLAB, CHECK FOR LOCATIONS OF ELECTRICAL CONDUIT OR PIPE.
 - 2. LOCATE SLEEVES AND POUR IN PLACE IN CONCRETE SLAB.
- COMPLETE INSTALLATION INSTRUCTIONS ARE INCLUDED WITH FLOOR SLEEVE.

INDICATE QUANTITY OF FLOOR SLEEVES REQ'D

SELECT COVER: 00872-100 FLOOR SLEEVE WITH CHROME COVER PLATE
 00872-200 FLOOR SLEEVE WITH BRASS COVER PLATE

© COPYRIGHT 1994 PORTER ATHLETIC EQUIPMENT CO. ALL RIGHTS RESERVED. 10-11-1994

THIS PRINT IS THE PROPERTY OF PORTER ATHLETIC EQUIPMENT COMPANY AND MAY NOT BE REPRODUCED WITHOUT WRITTEN PERMISSION.

SPECIFICATIONS

PORTER No. 00872-100 GYMNASIUM FLOOR SLEEVE WITH CHROME COVER FOR 3-1/2" (8.9cm) O.D. VOLLEYBALL AND TENNIS STANDARDS FOR USE IN ALL EXISTING OR FLOATING TYPE WOOD FLOORS

Sleeve shall be cast in concrete footing before slab is poured for new construction or remodeling in conjunction with floating type wood floors or in non-shrink type grout footing through existing finished floors. Top of sleeve to be installed 1/2" (1.3cm) below finished floor elevation.

Chrome plated cover plate shall be 8" (20.3cm) in diameter to allow maximum movement of 3-5/8" (9.2cm) in floating type floors. Cover plate shall consist of molded plastic recessed mounting flange (8-1/4" (20.9cm) dia.) cork gasket and an 8" (20.3cm) diameter chrome plated cover. Cover shall be equipped with a swivel type retainer pin to prevent theft. Special key shall be provided for cover removal.

Sleeve assembly shall be 3-3/4" (9.5cm) O.D. heavy wall steel tubing extending 9" (22.9cm) into concrete footing. Bottom of sleeve shall be capped with a 4" (10.2cm) diameter steel disc to provide proper anchorage in footing. Sleeve assembly to be finished in a rust resistant enamel finish.

PORTER No. 00872-200 GYMNASIUM FLOOR SLEEVE WITH BRASS COVER FOR 3-1/2" (8.9cm) O.D. VOLLEYBALL AND TENNIS STANDARDS FOR USE IN ALL EXISTING OR FLOATING TYPE WOOD FLOORS

Same specification as No. 00872-100 above, except that cover plate is brass plated.